

**FF3630**



**Ceiling Bracket**

Designed to suspend rails directly from ceilings.  
Use extension rod FF3632 to drop the rail system to the required height  
Clamps FF3601 not included and have to be ordered separately.  
Hardware to install the bracket to the ceiling is not included.  
Maximum load is dependant on mounting conditions.



material: steel



finish: grey powder coating with "orange peel" finish RAL 7016



weight: 0,330 kg  
0,727 lb



volume: 0,0050 cu m  
0,176 cu ft

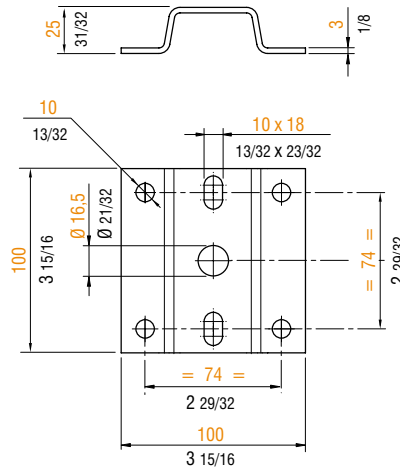


max. load: 250 kg  
551 lb



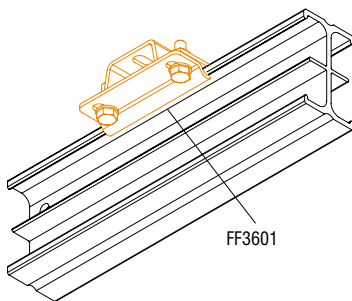
weight: 0,330 kg  
0,727 lb

4

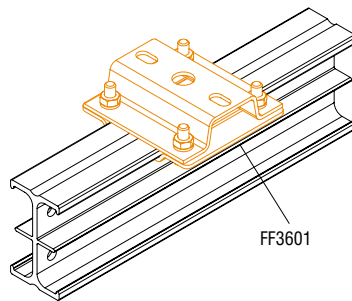


scale 1:4

**APPLICATIONS**



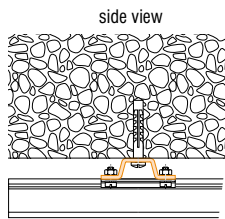
FF3601



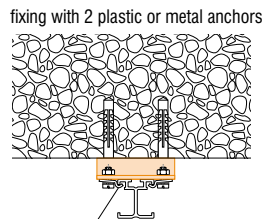
FF3601



FF3630

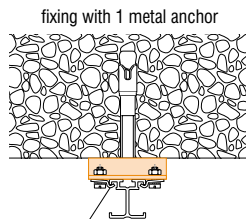


side view



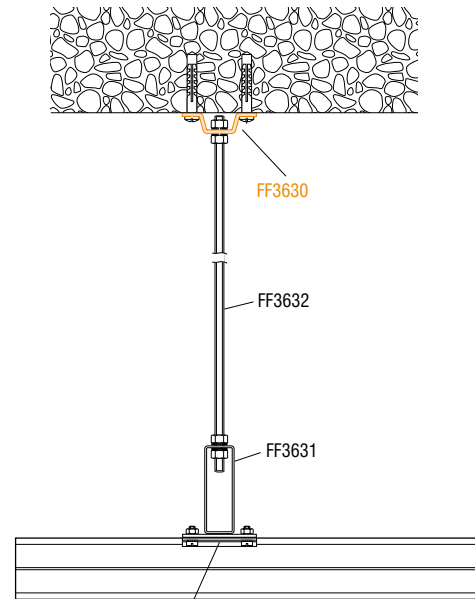
fixing with 2 plastic or metal anchors

FF3601



fixing with 1 metal anchor

FF3601



FF3632

FF3631

FF3601

Metric measurements should be taken as reference. Imperial values have been calculated from metric and rounded to nearest 1/32 inch.   
IMPORTANT: installation must be carried out by qualified personnel and in accordance with the safety regulations of the country/region of installation.