

**Rails 80**

FF8003: length 3000mm – 118 1/8"  
 FF8004: length 4000mm – 157 15/32"  
 FF8005: length 5000mm – 196 27/32"



material: aluminium

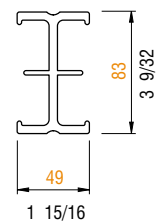
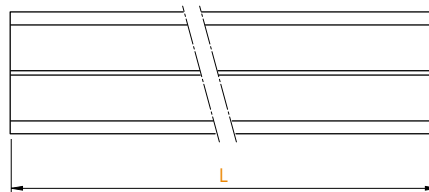


finish: silver

1 These aluminium rails are designed for heavy-duty applications. Rail systems in each length and shape are possible by connecting 2 or more standard rails. End stops at each rail end are required.

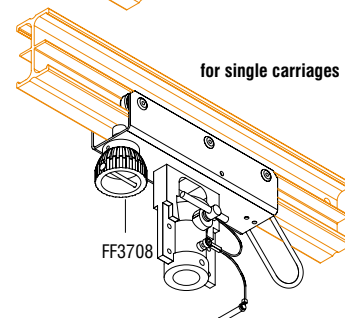
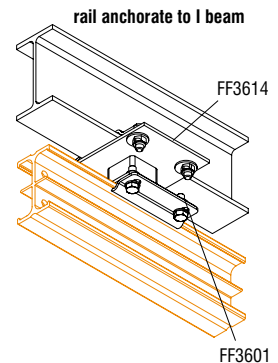
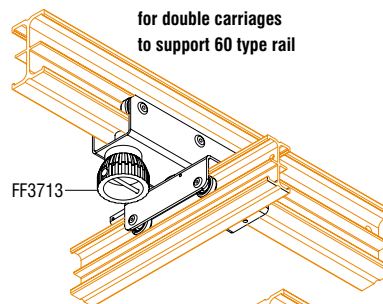
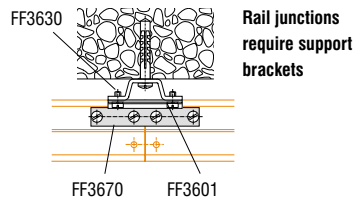
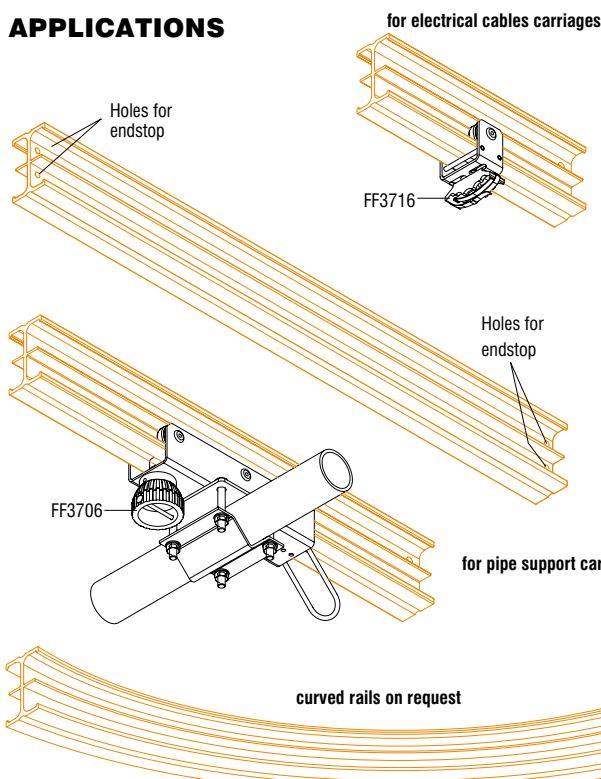


|                 | FF8003 | FF8004  | FF8005    |           |
|-----------------|--------|---------|-----------|-----------|
| <b>W</b> width: | mm     | 3000    | 4000      | 5000      |
|                 | inch   | 118 1/8 | 157 15/32 | 196 27/32 |
| weight:         | kg     | 7,50    | 10,00     | 12,50     |
|                 | lb     | 16,53   | 22,05     | 27,56     |
| volume:         | cu m   | 0,012   | 0,016     | 0,02      |
|                 | cu ft  | 0,039   | 0,052     | 0,066     |
| weight:         | kg     | 7,5     | 10,00     | 12,50     |
|                 | lb     | 16,53   | 22,05     | 27,56     |



scale 1:5

**APPLICATIONS**



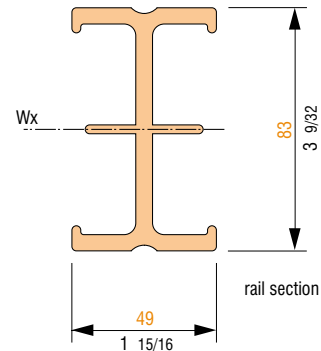
Metric measurements should be taken as reference. Imperial values have been calculated from metric and rounded to nearest 1/32 inch.   
 IMPORTANT: installation must be carried out by qualified personnel and in accordance with the safety regulations of the country/region of installation.

## Rails 80 - anchorage points

The spacing of rail brackets depends on the maximum load on the rail itself, but should generally be in accordance with the table below.

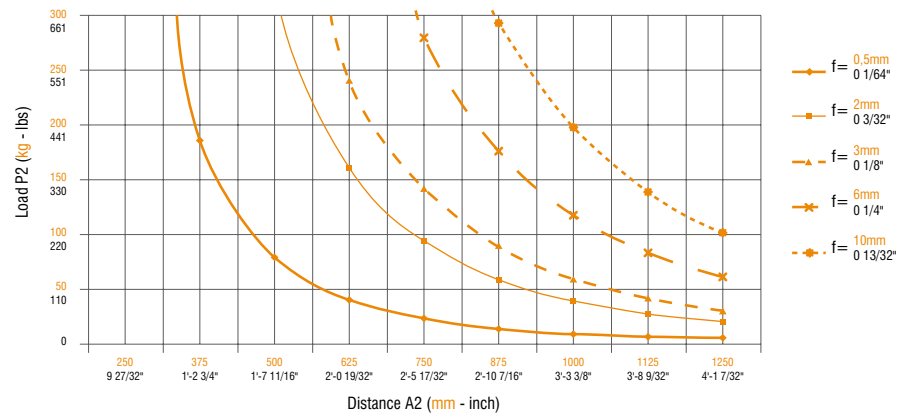
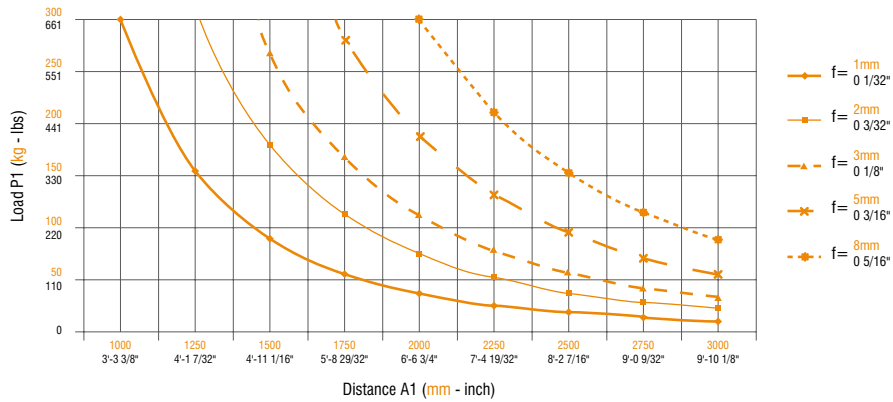
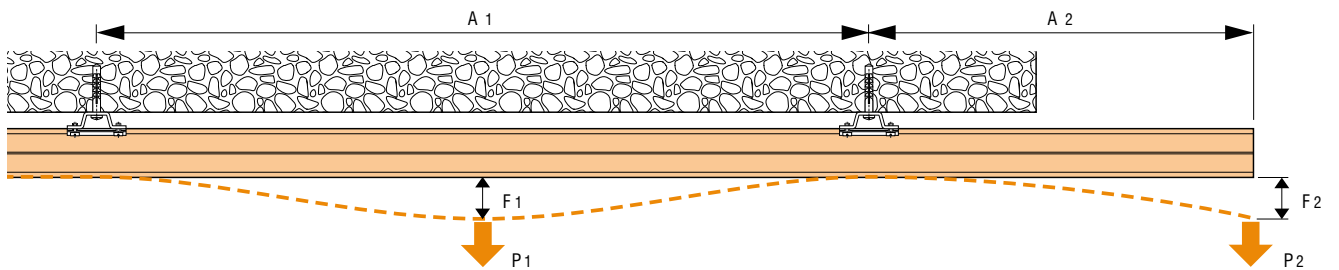
Example for A1 (distance between two support brackets) equals 3m (118 1/8"), the maximum load P1 equals 100kg (220lb)

To avoid sag due to point loads between two support points the spacing between two brackets should not exceed 2m (78 3/4")



weight: 2,50 kg/m linear  
1,68 lb/ft linear

section modulus Wx: 21433 cu mm  
1,307 cu inch



Attention Graphics are calculated for static loads. For application that foreseen loads over 200kg/441lbs and sagging over 3mm/1/8" please consult our thecnal office