

FF3214C



Ceiling bracket with eye hook

Bracket to suspend rails from ceiling with steel wires.
Wire is not included.



material: steel



finish: white zinc plated



weight: 0,400 kg
0,882 lb



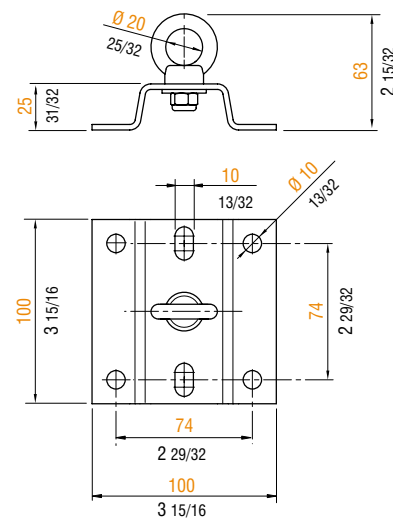
volume: 0,0008 cu m
0,0283 cu ft



max. load: 150 kg
331 lb

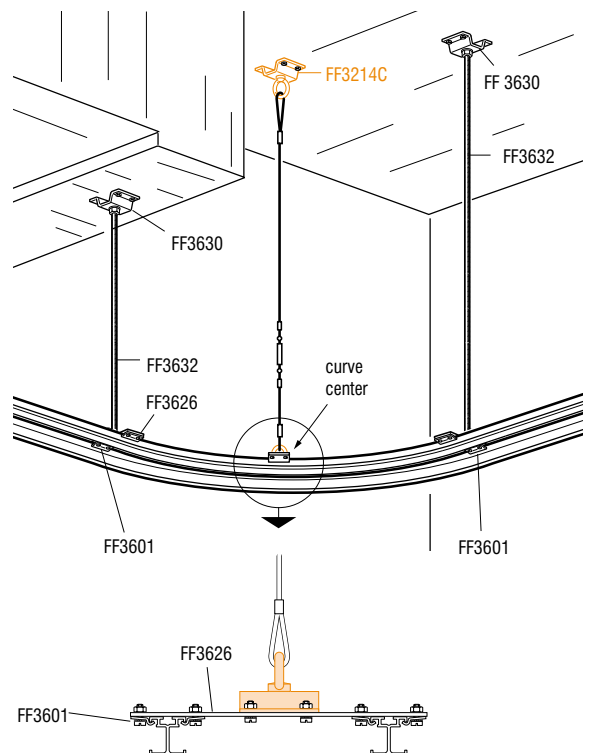
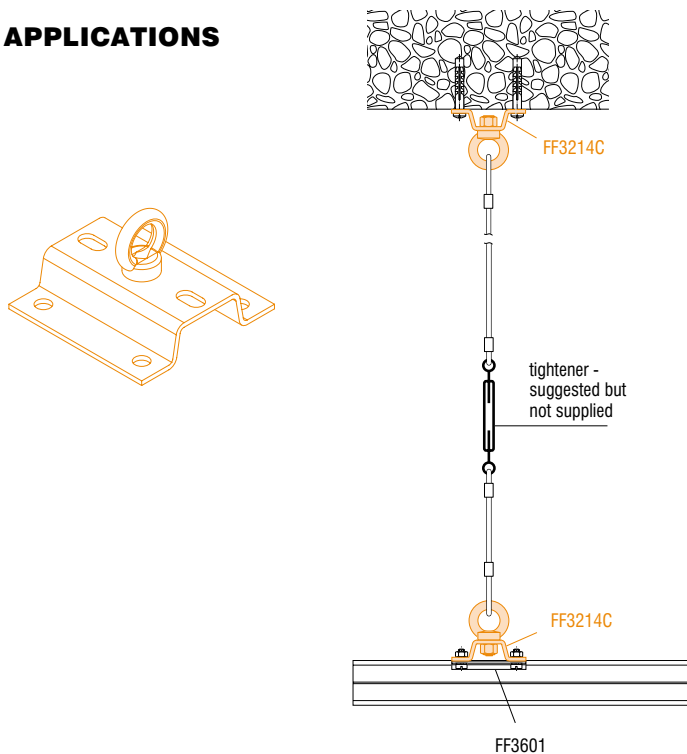


weight: 0,400 kg
0,882 lb



4

APPLICATIONS



Metric measurements should be taken as reference. Imperial values have been calculated from metric and rounded to nearest 1/32 inch. **IMPORTANT:** installation must be carried out by qualified personnel and in accordance with the safety regulations of the country/region of installation.