

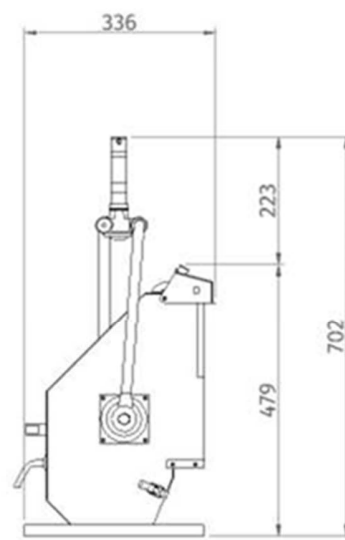
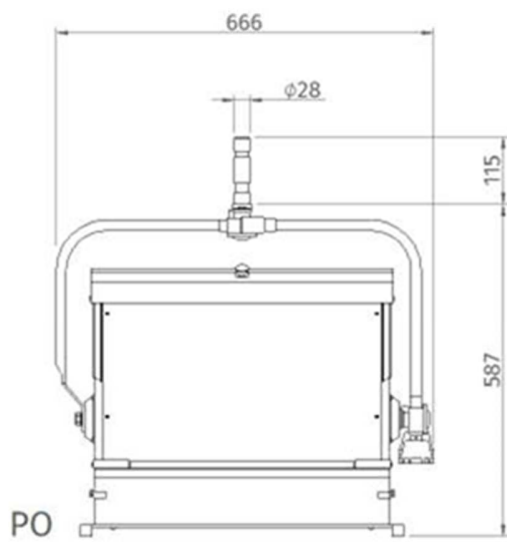
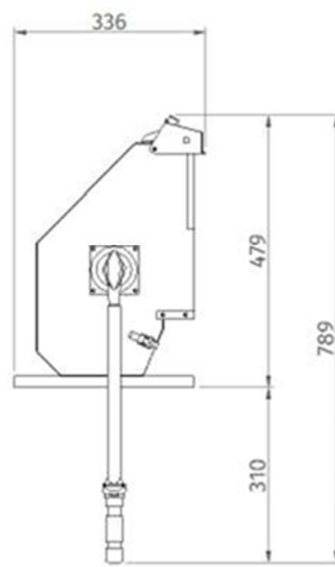
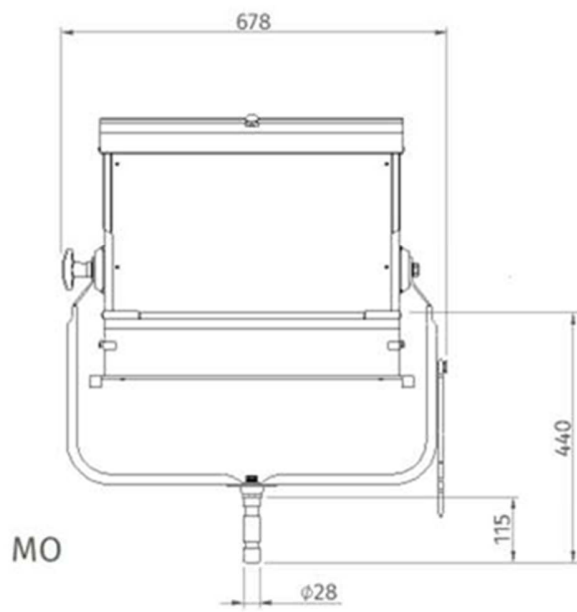
ARTURO 2 - 2500W/1250W STUDIO SOFTLIGHT

26530

| Operational Data | |
|-----------------------------------|--|
| Power consumption | 1250 W/2500 W |
| Supply voltage | 120 – 240 V |
| Tilt adjustment | Pivot located at center of gravity for excellent balance and positive locking |
| Tilt recommended angle of use | - 60° / 0° / 60° |
| Accessory fitting | Vertical fitting of accessories. Hinged fitting accessory cover with a quick release catch, allowing an easy and safe accessory fitting and retention. |
| Colour frame | 512 mm x 310 mm |
| Filter cut size | 510 mm x 305 mm |
| Lamp holder | R7s |
| IP rating | IP 20 |
| Max operating ambient temperature | 45° |
| Optical Data | |
| Reflector | Specifically designed primary/secondary reflectors in textured anodised aluminium and side reflector panels in polished anodised aluminium |
| Beam Angle | 64° x 99° |

| Mechanical Data | |
|-------------------------|--|
| Finish | High-quality epoxy powder coating Special extra high-temperature treatment in critical areas External textured low gloss finish |
| Lamp housing | Formed sheet steel housing, lightweight and robust |
| MO mounting | Manual U-shaped flat base stirrup with single lock off knob, 28 mm (1 1/8") spigot |
| PO mounting | Pole Operated U-shaped stirrup, pan & tilt clutch gear mechanism for manual override, 28 mm (1 1/8") spigot |
| Electrical | |
| MO version | On/Off head mounted toggle switches 8 A / 250 V, 5 m bare ended cable, 3 x 2.5 mm ² section cable Plugs and cables upon request |
| PO version | On/Off head mounted toggle switches 8 A / 250 V, 2.5 m bare ended cable, 3 x 2.5 mm ² section cable Plugs and cables upon request |
| Dimensions | |
| Weight (head + stirrup) | 14.0 kg manual version 16.0 kg pole op version |
| Packed volume | 660 mm x 563 mm x 443 mm |

Technical Drawings



Photometrics

| | | | | | |
|--------------|-------|-------|-----|-----|------|
| Distance (m) | 4 | 5 | 6 | 7 | 8 |
| Lux | 1,562 | 1,000 | 694 | 510 | 390 |
| Beam (m) | 5.0 | 6.2 | 7.5 | 8.7 | 10.0 |

Typical performance based on (2) P2/12 1250 W 230/240 V lamp, without eggcrate

Lamp Data

| | |
|-------------------|------------------------|
| Lamp code | P2/12 1250 W 230/240 V |
| Base | R7s |
| Lumens | 33,500 |
| Color Temperature | 3200 K |

| | |
|-------------------|-----------------------|
| Lamp code | P2/7 1000 W 230/240 V |
| Base | R7s |
| Lumens | 26,000 |
| Color Temperature | 3200 K |

| | |
|-----------|------------------------|
| Lamp code | P2/10 1000 W 230/240 V |
| Base | R7s |
| Lumens | 16,900 |

Color Temperature

3200 K