

FF3664



End stop with 4 cable ties

End stop for trailing cable system. Mount in the holes at the end of the rail to prevent carriages leaving the rail and for strain relief of the power cable.

material: main body: black plastic
part: steel

finish: main body: black
part: black painted

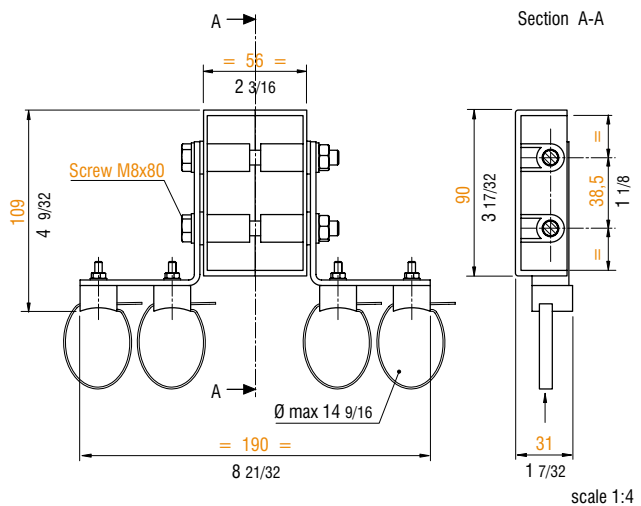
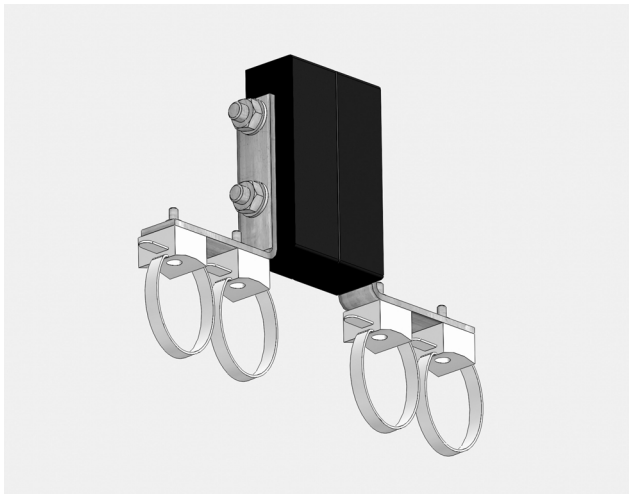
weight: 0,290 kg
0,639 lb

volume: 0,0008 cu m
0,0283 cu ft

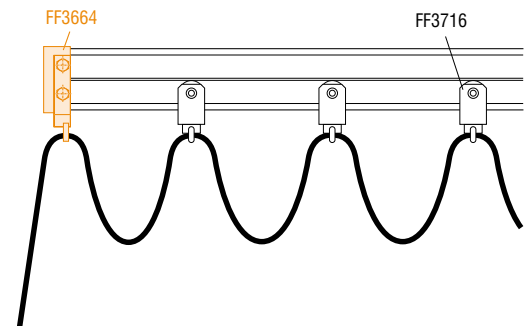
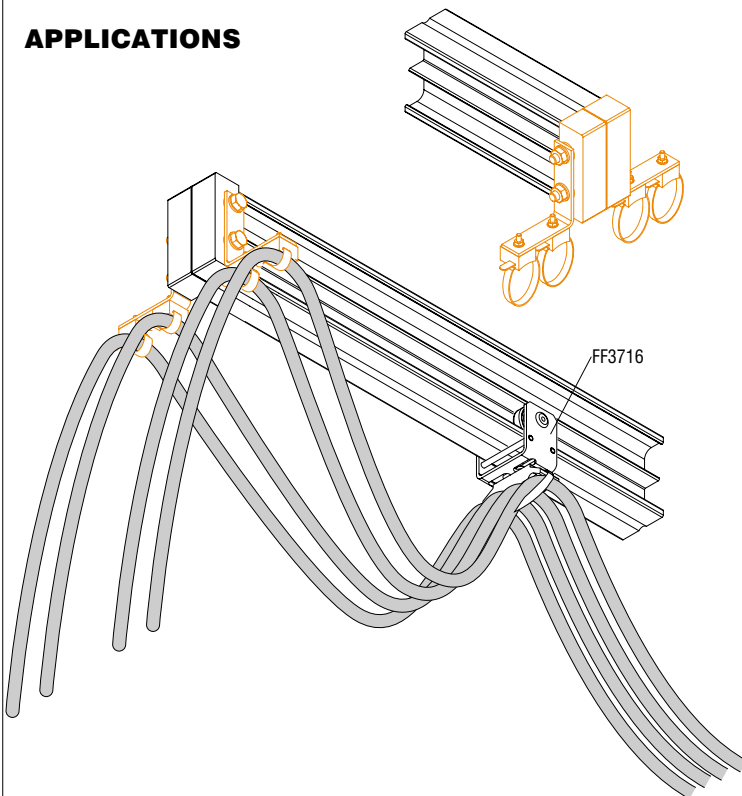
max. load: NA

weight: 0,290 kg
0,639 lb

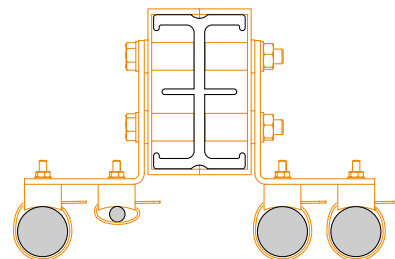
3



APPLICATIONS



Item FF3664 holds the cable in position and function as endstop for the cable carriages.



Metric measurements should be taken as reference. Imperial values have been calculated from metric and rounded to nearest 1/32 inch.
IMPORTANT: installation must be carried out by qualified personnel and in accordance with the safety regulations of the country/region of installation.