




**EXTENSION TUBE**

FF3240: length 50 cm - 13,11 inches  
 FF3242: length 100 cm - 19,68 inches

Extension brackets with a 5/8" female attachment on both ends to suspend lighting fixtures from the pipe grids or IFF rail systems.

 material: steel

 max. load: 40 kg  
88 lb

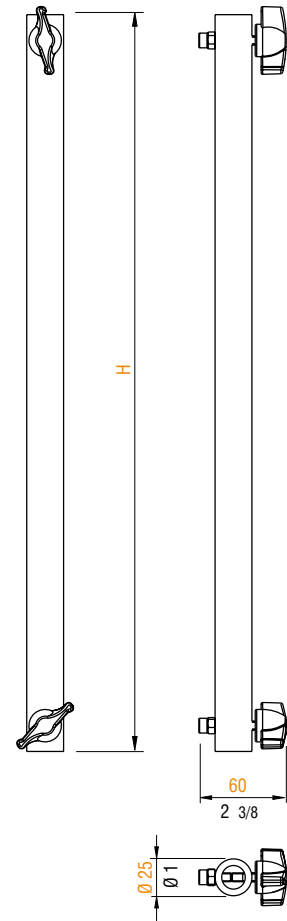
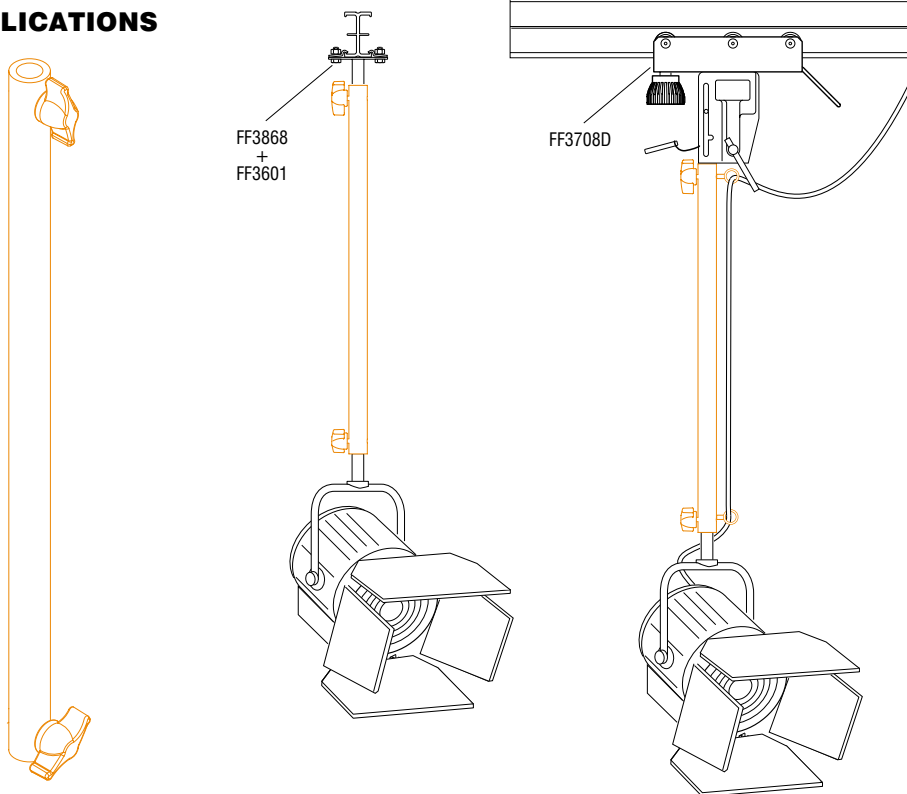
 finish: grey powder coating with orange peel finish RAL 7016



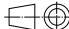
	FF3240	FF3242
 height: mm	500	1000
inch	19 11/16	39 3/8
 weight: kg	0,426	0,784
lb	0,939	1,728
 volume: cu m	0,0300	0,0600
cu ft	1,0594	2,1188
 weight: kg	0,502	0,86
lb	1,106	1,895

9

**APPLICATIONS**



scale 1:5

Metric measurements should be taken as reference. Imperial values have been calculated from metric and rounded to nearest 1/32 inch.   
**IMPORTANT:** installation must be carried out by qualified personnel and in accordance with the safety regulations of the country/region of installation.