

ARTURO 1 - 1250W STUDIO SOFTLIGHT

26510

Operational Data

Power consumption	1250 W
Supply voltage	120 – 240 V
Tilt adjustment	Pivot located at center of gravity for excellent balance and positive locking
Tilt recommended angle of use	- 60° / 0° / 60°
Accessory fitting	Vertical fitting of accessories. Hinged fitting accessory cover with a quick release catch, allowing an easy and safe accessory fitting and retention
Colour frame	400 mm x 230 mm
Filter cut size	295 mm x 225 mm
Lamp holder	R7s
Lamp access	Through front of open face of fixture after colour frame and wire guard removed
IP rating	IP 20
Max operating ambient temperature	45°

Optical Data

Reflector	Asymmetric multi-curve reflectors with special anodised coating for high-efficiency finish
Beam Angle	62° x 95°

Mechanical Data

Finish	High-quality epoxy powder coating Special extra high-temperature treatment in critical areas External textured low gloss finish
Lamp housing	Formed sheet steel housing, lightweight and robust

MO mounting	Manual U-shaped flat base stirrup with single lock off knob, 28 mm (1 1/8") spigot
PO mounting	Pole Operated U-shaped stirrup, pan & tilt clutch gear mechanism for manual override, 28 mm (1 1/8") spigot

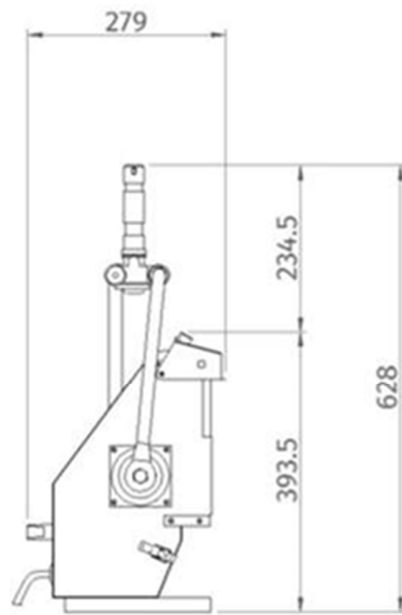
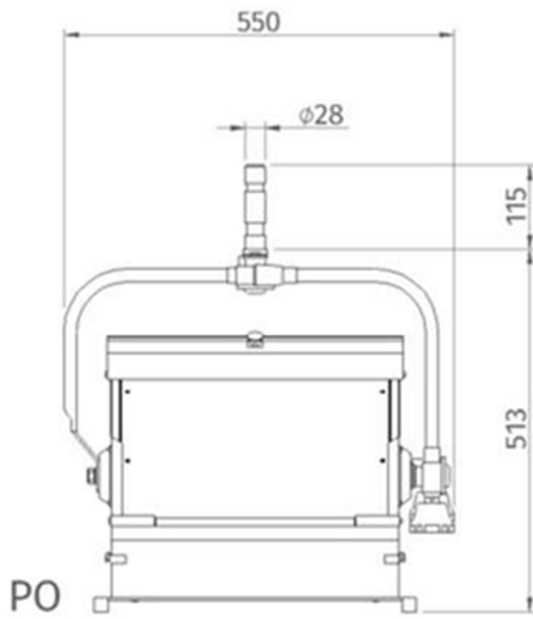
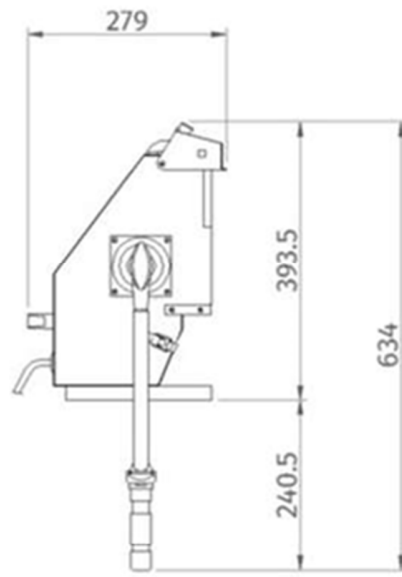
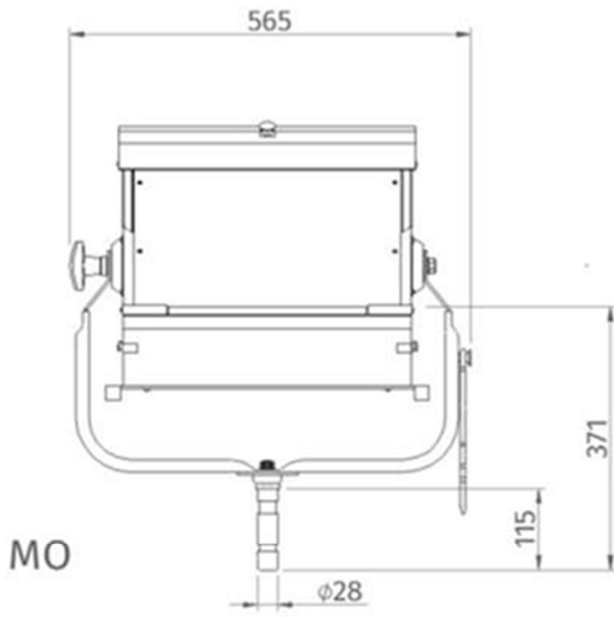
Electrical

MO version	On/Off in-line toggle switch 8 A / 250 V, 5 m bare ended cable, 3 x 1.5 mm ² section cable Plugs and cables upon request
PO version	On/Off in-line toggle switch 8 A / 250 V, 5 m bare ended cable, 3 x 1.5 mm ² section cable Plugs and cables upon request

Dimensions

Weight (head + stirrup)	10.0 kg manual version 11.5 kg pole op version
Packed volume	560 mm x 530 mm x 360 mm

Technical Drawings



Photometrics

Distance (m)	2	3	4	5	6
Lux	2,700	1,200	675	432	300
Beam (m)	2.4	3.6	4.8	6.0	7.2

Typical performance based on P2/12 1250 W 230/240 V lamp, without eggcrate

Lamp Data

Lamp code	P2/12 1250 W 230/240 V
Base	R7s
Lumens	33,500
Color Temperature	3200 K

Lamp code	P2/7 1000 W 230/240 V
Base	R7s

Lumens	26,000
Color Temperature	3200 K

Lamp code	P2/10 1000 W 230/240 V
Base	R7s
Lumens	16,900
Color Temperature	3200 K