

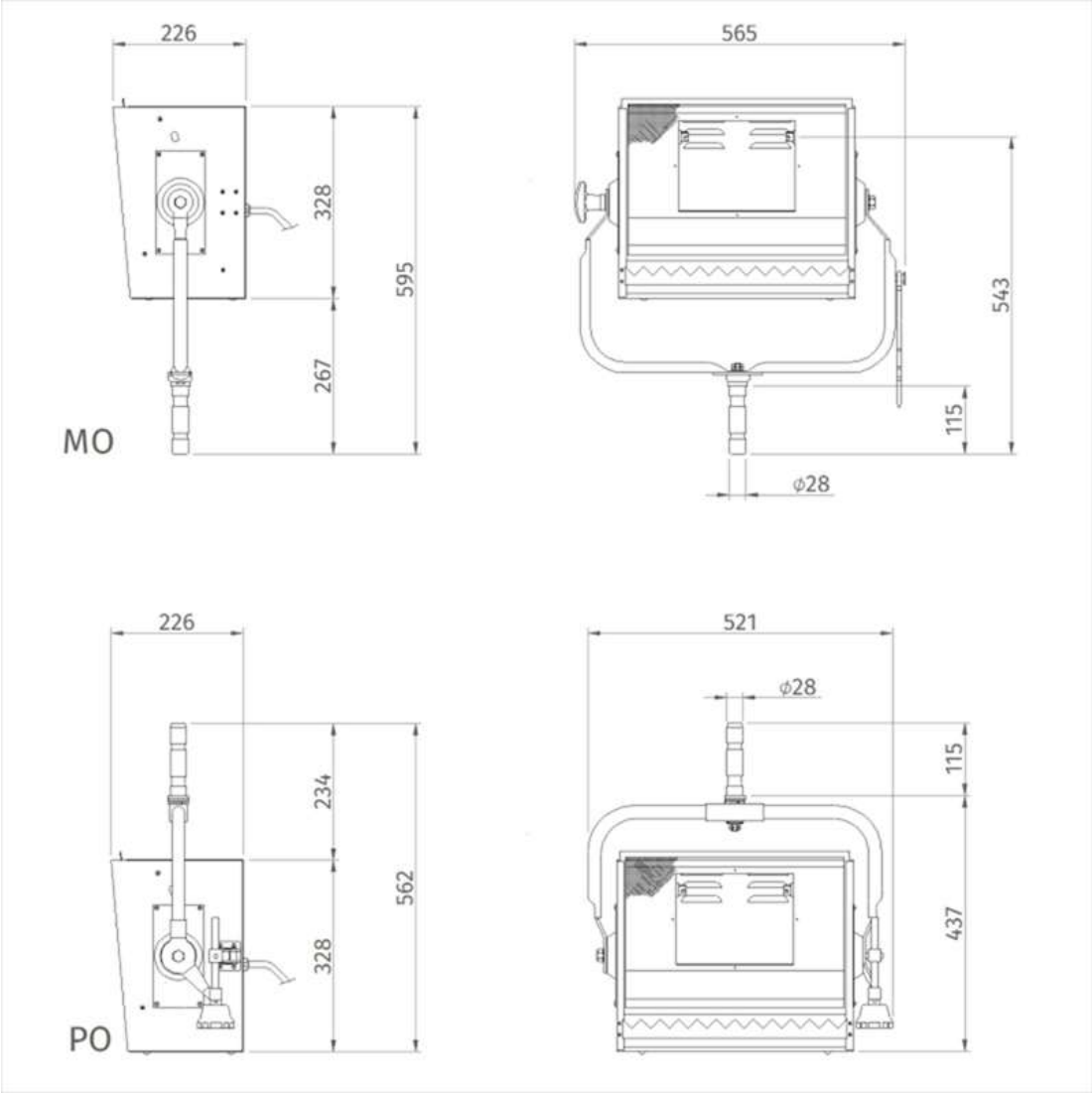
# IRIS 1 – 1250W CYCLORAMA SOFTLIGHT

26080

<b>Operational Data</b>	
Power consumption	1250 W
Supply voltage	100 – 240 V
Tilt adjustment	Pivot located at centre of gravity for excellent balance and positive locking
Tilt use recommended angle of	Vertical to -45°
Focus adjustment	Fixed beam
Accessory fitting	Built-in accessory support frame fitting enabling an easy and secure vertical slide of wire mesh safety guard and gel frame. For extra safety, the accessories are held in place with a safety bond
Colour frame	400 mm x 305 mm (with safety mesh)
Filter cut size diameter	395 mm x 305 mm
Lamp holder	R7s
Lamp access	After removal of wire mesh safety access guard 3 mm x 3 mm
Safety mesh	Compartment fitted with wire mesh safety guard 3 mm x 3 mm
IP rating	IP 20
Max operating ambient temperature	45°
<b>Optical Data</b>	
Reflector	Asymmetric multi-curve reflectors with special anodised coating for high-efficiency finish

<b>Mechanical Data</b>	
Finish	<p>High-quality epoxy powder coating</p> <p>Special extra high-temperature treatment in critical areas</p> <p>External textured low gloss finish</p>
Lamp housing	Formed sheet steel lamp housing house compartment
MO mounting	Manual U-shaped flat base stirrup with single lock off knob, with lateral assembly plates, 28 mm (1 1/8") spigot
PO mounting	Pole Operated U-shaped square base stirrup, pan & tilt clutch gear mechanism for manual override, with lateral assembly plates, 28 mm (1 1/8") spigot
<b>Electrical</b>	
MO version	<p>5 m bare ended cable (no switch) on each compartment, 3 x 1.5 mm<sup>2</sup> section cable</p> <p>Plugs and cables upon request</p>
PO version	<p>5 m bare ended cable (no switch) on each compartment, 3 x 1.5 mm<sup>2</sup> section cable</p> <p>Plugs and cables upon request</p>
<b>Dimensions</b>	
Weight (head)	<p>8.5 kg manual version</p> <p>8.5 kg pole op version</p>
Packed volume	610 mm x 530 mm x 310 mm

# Technical drawings



## Photometrics

IRIS cyclorama lights are designed to evenly illuminate cycloramas up to 7 meters high with maximum illumination at performer head height of 2 meters. They rely on the overlap of light from adjacent units which should be installed on 2.5 m centers and tilted down 20° from vertical.

Cyclorama height (m)	7	6	5
Distance from Cyc (m)	3.3	2.5	2.1
Lux level at 2 m high	1,450	1,850	2,150
Typical performance based on P2/12 1250 W lamp			

## Lamp Data

Lamp code	P2/12 1250 W 230/240 V
Base	R7s
Lumens	33,500
Color Temperature	3200 K

Lamp code	P2/7 1000 W 230/240 V
Base	R7s
Lumens	26,000

Color Temperature	3200 K
-------------------	--------

Lamp code	P2/10 1000 W 230/240 V
Base	R7s
Lumens	16,900
Color Temperature	3200 K