

FF3723C



Curtain carriage

Steel carriages with ball bearings for curtains over 9m (29ft) height. Recommended distance between carriages for ideal curtain support: 25-30 cm.



material: steel



finish: grey powder coating with orange peel finish RAL 7016



weight: **0,242 kg**
0,533 lb



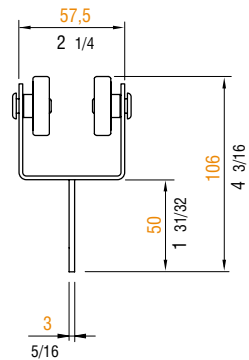
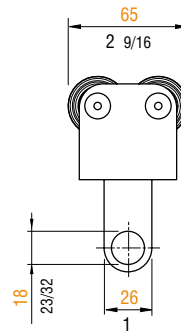
volume: **0,0015 cu m**
0,0530 cu ft



max. load: **25 kg**
55 lb

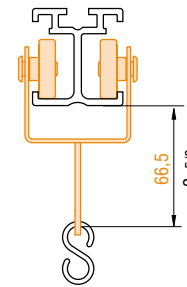
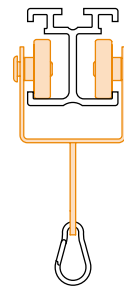
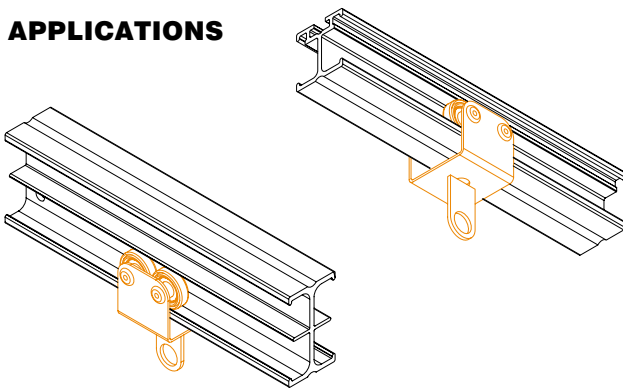


weight: **0,282 kg**
0,621 lb



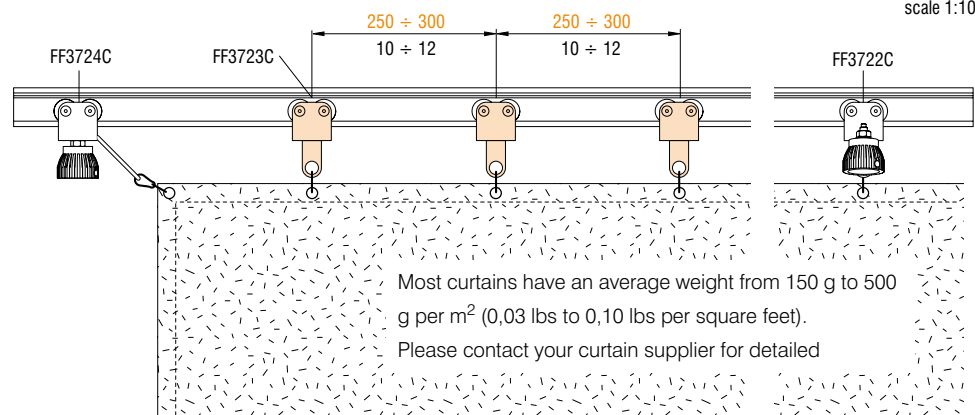
scale 1:4

APPLICATIONS



Hardware to attach curtains onto carriages not included. Contact your curtain supplier for details.

scale 1:10



Most curtains have an average weight from 150 g to 500 g per m² (0,03 lbs to 0,10 lbs per square feet). Please contact your curtain supplier for detailed

Metric measurements should be taken as reference. Imperial values have been calculated from metric and rounded to nearest 1/32 inch.
IMPORTANT: installation must be carried out by qualified personnel and in accordance with the safety regulations of the country/region of installation.