

FF3705



Carriage with twist lock and 1-1/8" female attachment

Designed to run on curved rails.



material main body: steel
part: blue plastic



finish: grey powder coating with orange peel finish RAL 7016



weight: 1,100 kg
2,424 lb



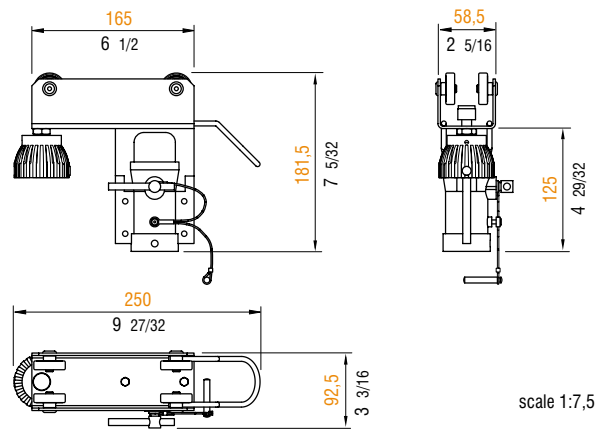
volume: 0,003 cu m
0,1060 cu ft



max. load: 90 kg
198 lb



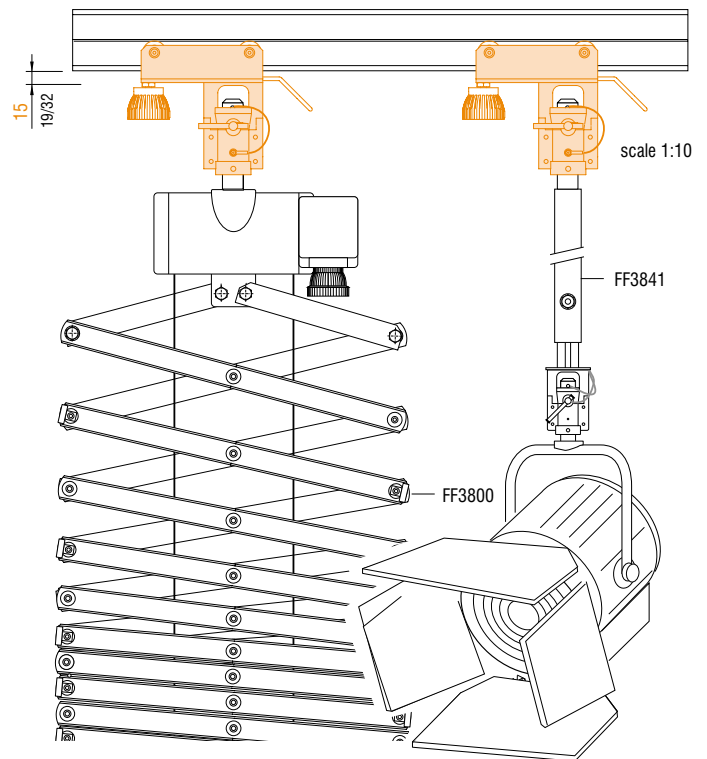
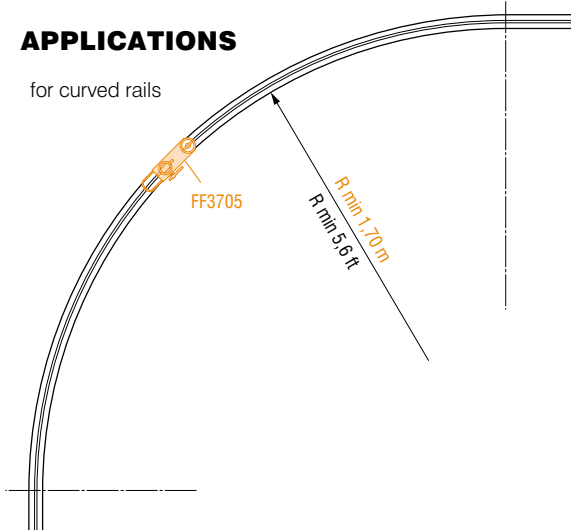
weight: 1,3 kg
2,86 lb



5

APPLICATIONS

for curved rails



Metric measurements should be taken as reference. Imperial values have been calculated from metric and rounded to nearest 1/32 inch. **IMPORTANT:** installation must be carried out by qualified personnel and in accordance with the safety regulations of the country/region of installation.