

TELESCOPIC DROP-ARM

- FF3842: Extension 44cm up to 65cm (17" to 25")
- FF3841: Extension 73cm up to 123cm (28" to 48")
- FF3840: Extension 113cm up to 200cm (44" to 78")
- FF3844Y25: Extension 138cm up to 250cm (48" to 102")
- FF3844Y30: Extension 163cm up to 300cm (68" to 122")
- FF3844Y35: Extension 188cm up to 350cm (78" to 142")
- FF3844Y40: Extension 213cm up to 400cm (88" to 162")



material: steel



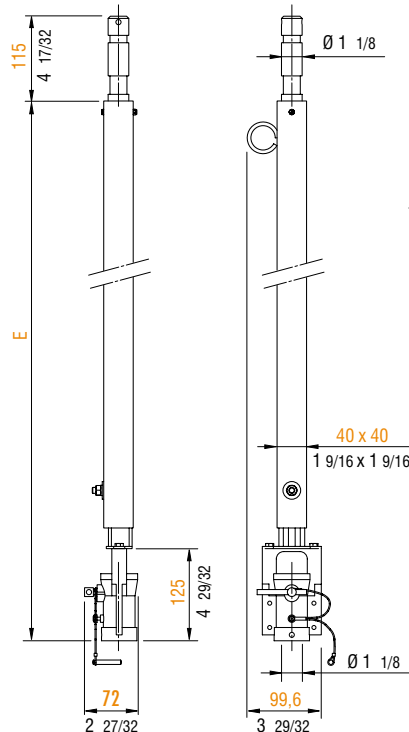
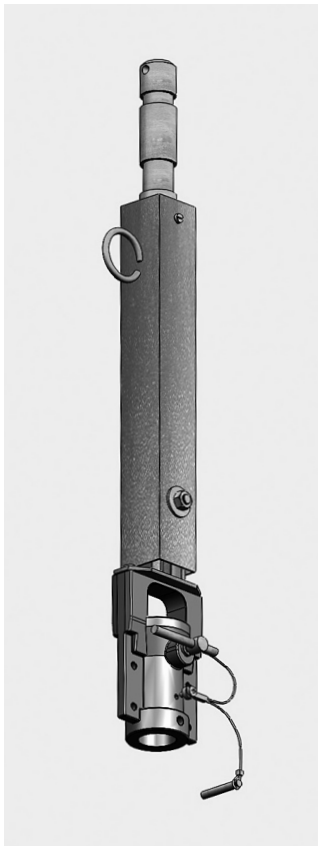
max. load: 40 kg
88 lb



finish: grey powder coating with orange peel finish RAL 7016

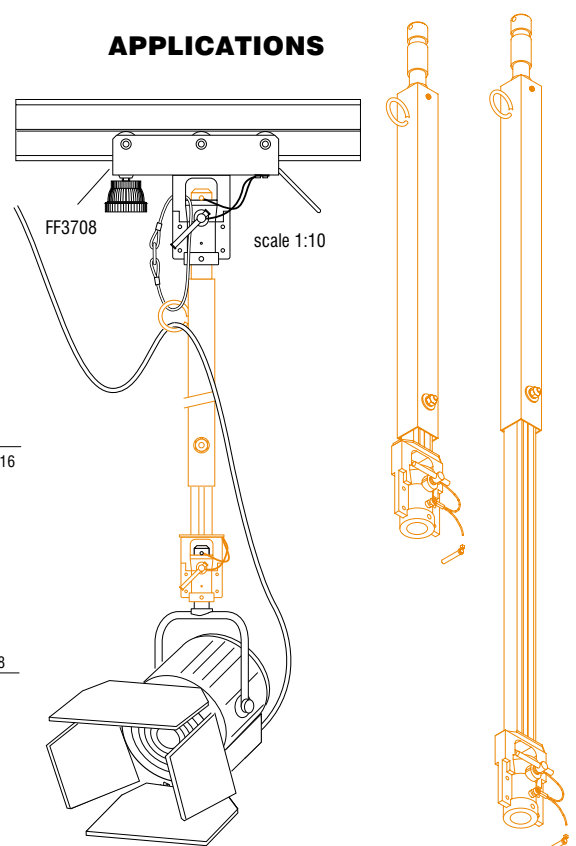
Extendable bracket with a 1-1/8" spigot on the top and a 1-1/8" female attachment on the bottom; can be mounted on carriages or fixed clamps. Extension position is locked by tightening nut.

		FF3842	FF3841	FF3840	FF3844Y25	FF3844Y30	FF3844Y35	FF3844Y40
E MIN:	mm	440	730	1130	1495	1745	1995	2245
	inch	17 5/16	28 3/4	44 15/32	58 27/32	68 11/16	78 17/32	88 3/8
E MAX:	mm	650	1230	2000	2615	3115	3615	4115
	inch	25 19/32	48 7/16	78 3/4	102 15/16	122 5/8	142 5/16	162
weight:	kg	2,00	3,10	4,20	5,90	7,00	7,70	8,25
	lb	4,41	6,83	9,26	13,00	15,43	16,98	18,19
volume:	cu m	0,0040	0,0060	0,0080	0,0100	0,0120	0,0150	0,0160
	cu ft	0,1412	0,2119	0,2825	0,3531	0,4238	0,5297	0,5650
weight:	kg	2,70	3,80	5,00	6,6	7,70	8,4	8,89
	lb	5,95	8,37	11,02	14,55	16,87	18,51	19,57



scale 1:10

APPLICATIONS



Metric measurements should be taken as reference. Imperial values have been calculated from metric and rounded to nearest 1/32 inch. **IMPORTANT:** installation must be carried out by qualified personnel and in accordance with the safety regulations of the country/region of installation.