

FF3708D



Carriage with twist lock and universal head

Twist lock holds carriage in position. Use operating pole to open or release the twist lock.

Universal head with 1-1/8" and 5/8" female and 5/8" male attachment.



material main body: steel
part: blue plastic



finish: grey powder coating with orange peel finish RAL 7016



weight: 1,506 kg
3,319 lb



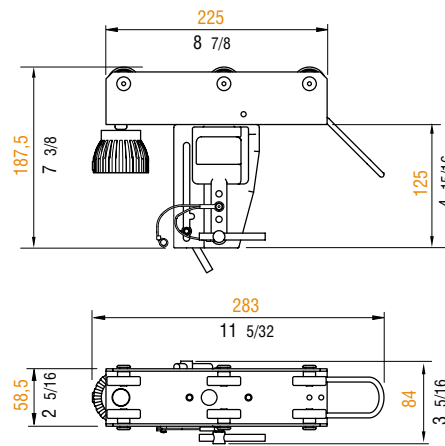
volume: 0,0060 cu m
0,2120 cu ft



max. load: 90 kg
198 lb

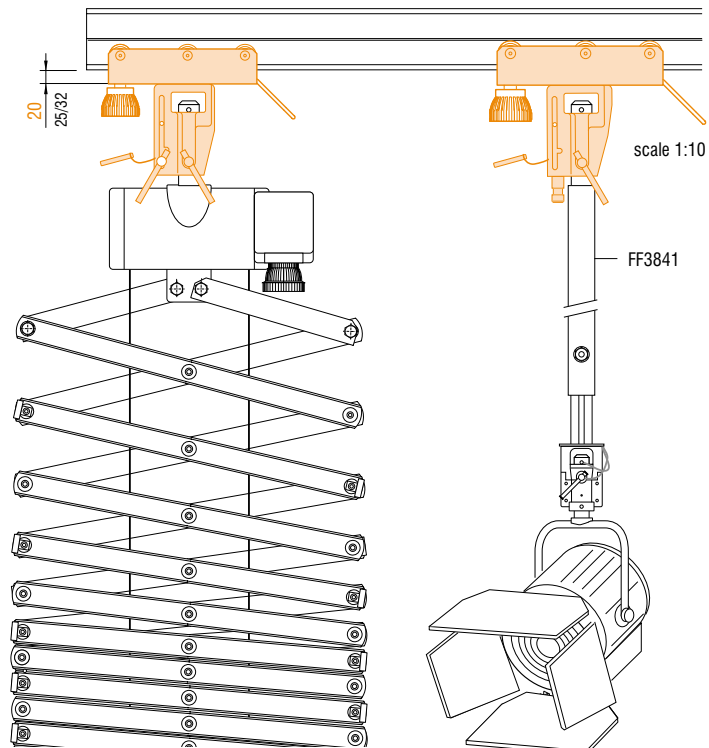
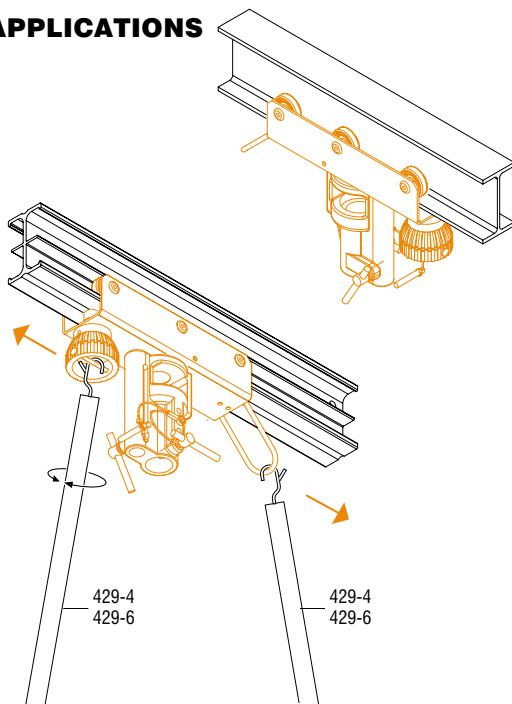


weight: 1,640 kg
3,612 lb



scale 1:7,5

APPLICATIONS



Metric measurements should be taken as reference. Imperial values have been calculated from metric and rounded to nearest 1/32 inch.
 IMPORTANT: installation must be carried out by qualified personnel and in accordance with the safety regulations of the country/region of installation.