

FF3606



Ceiling bracket for pipes

Designed to suspend pipes allowing the carriages to slide along the entire length. The ceiling bracket fits onto various IFF brackets or can be mounted directly onto the ceiling.



material: steel



finish: grey powder coating with orange peel finish RAL 7016



weight: 1,000 kg
2,204 lb



volume: 0,0075 cu m
0,2650 cu ft

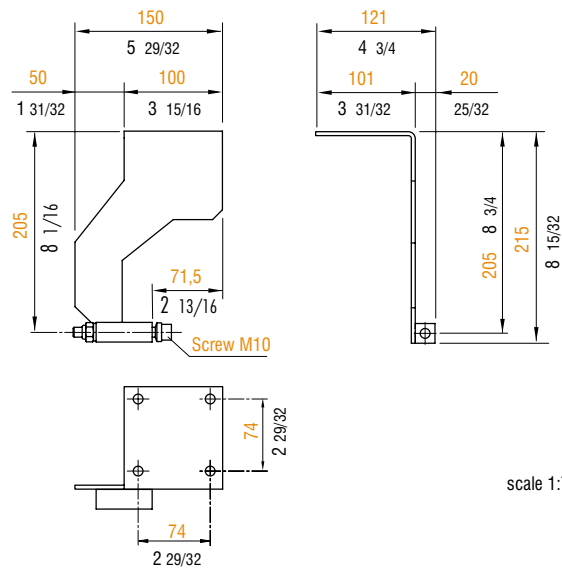


max. load: 150 kg
331 lb

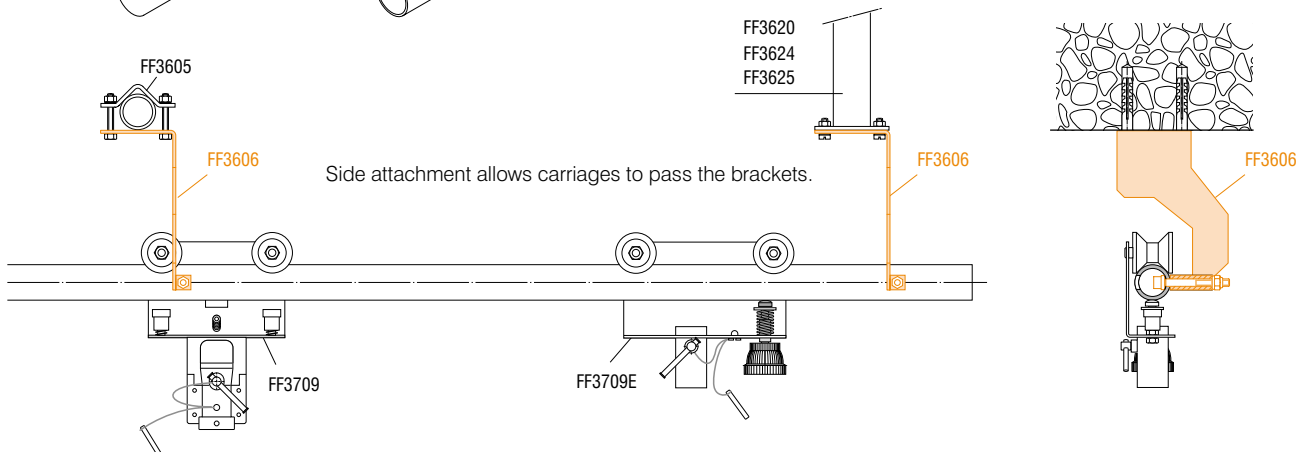
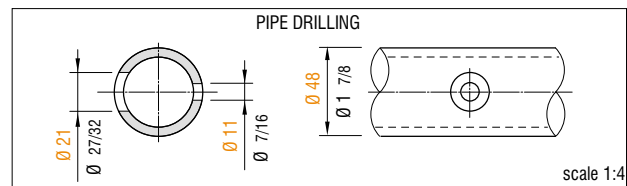
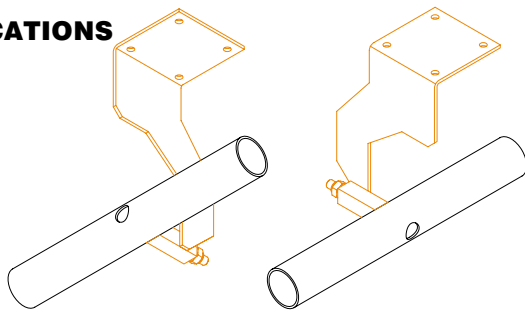


weight: 1,050 kg
2,313 lb

4



APPLICATIONS



Metric measurements should be taken as reference. Imperial values have been calculated from metric and rounded to nearest 1/32 inch.
IMPORTANT: installation must be carried out by qualified personnel and in accordance with the safety regulations of the country/region of installation.