

FF3866

Arm with 3 mounting points (1 1/8")

The arm is used to suspend 2 lighting fixtures from a single pantograph or drop arm.



material: main body: steel & aluminium



finish: grey powder coating with orange peel finish RAL 7016



weight: 3,50 kg
7,72 lb



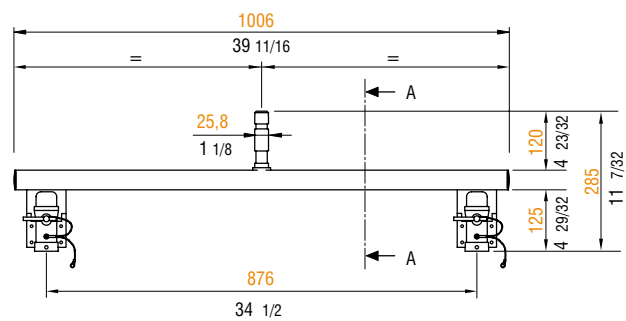
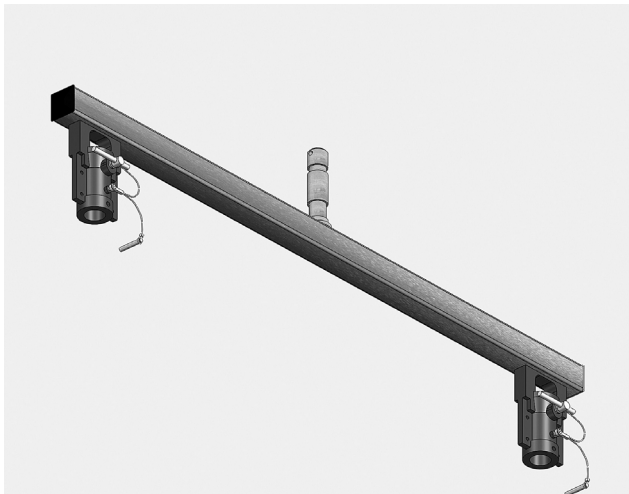
volume: 0,03 cu m
1,059 cu ft



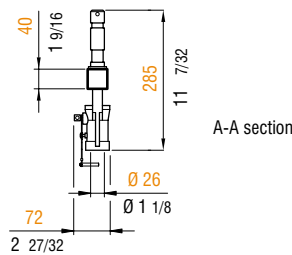
max. load: 60 kg
132 lb



weight: 4,00 kg
8,818 lb

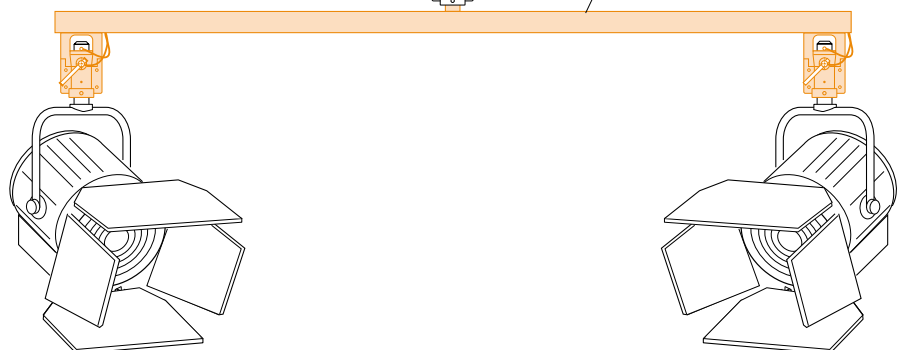
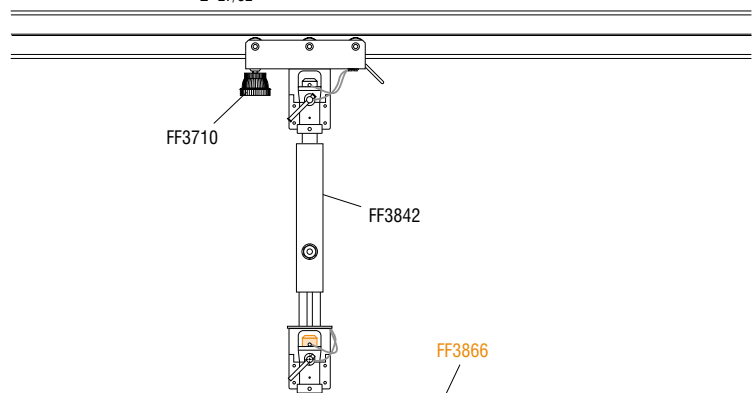
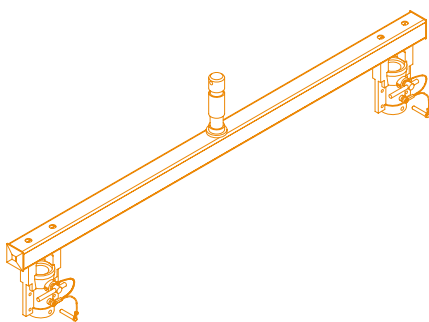


scale 1:15



A-A section

APPLICATIONS



Metric measurements should be taken as reference. Imperial values have been calculated from metric and rounded to nearest 1/32 inch.
IMPORTANT: installation must be carried out by qualified personnel and in accordance with the safety regulations of the country/region of installation.