

FF3707S

I100

Detachable carriage with twist lock and universal head

One side of the carriage can be removed to attach or detach the carriage to/from the IPE100 beam.

Universal head with 1-1/8" and 5/8" female and 5/8" male attachment

material main body: steel
part: blue plastic

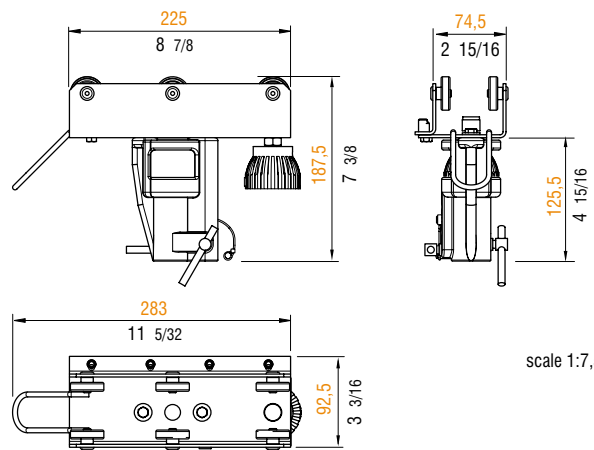
finish: grey powder coating with orange peel finish RAL 7016

weight: 1,940 kg
4,276 lb

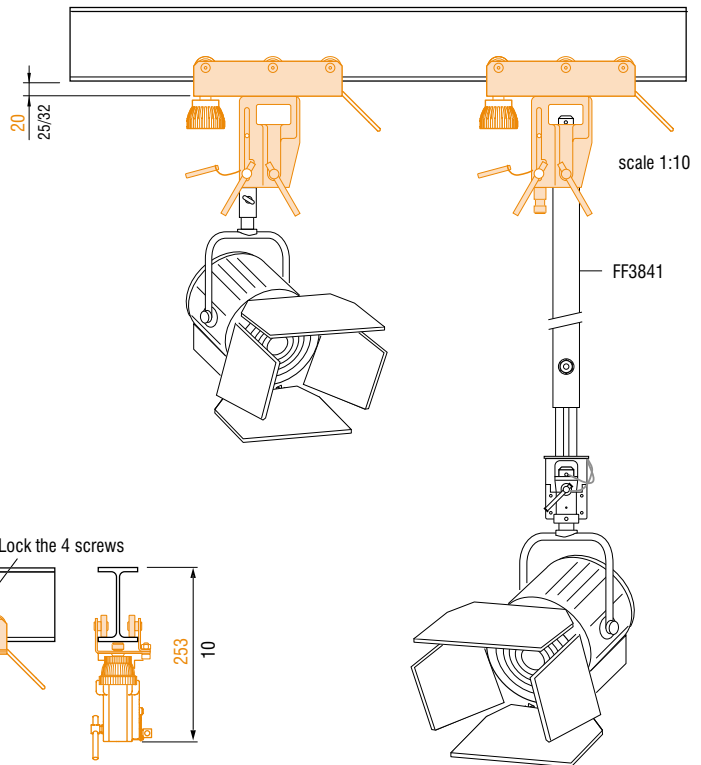
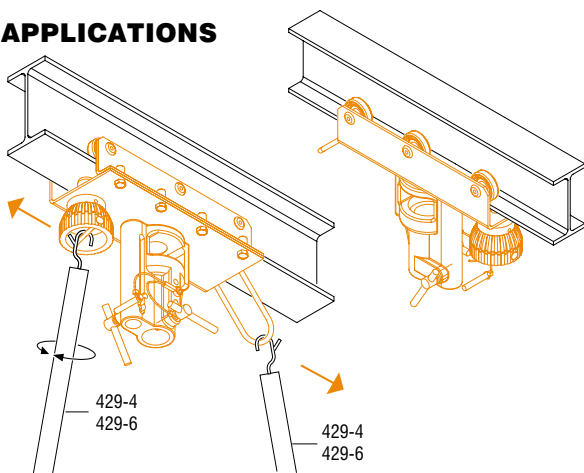
volume: 0,006 cu m
0,2120 cu ft

max. load: 90 kg
198 lb

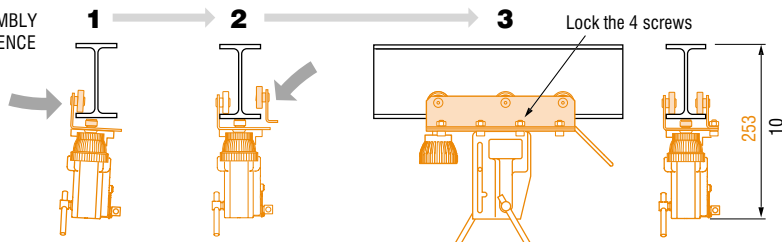
weight: 2,042 kg
4,5 lb



APPLICATIONS



ASSEMBLY SEQUENCE



Metric measurements should be taken as reference. Imperial values have been calculated from metric and rounded to nearest 1/32 inch.
IMPORTANT: installation must be carried out by qualified personnel and in accordance with the safety regulations of the country/region of installation.