

FF3716



Rail 80 cable carriage

Made to support up to 3 electrical cables from 8 to 16mm diameter (3/8" to 5/8") on Rail type 80. Cables held by standard cable tie, not supplied.



material main body: steel
part: black plastic



finish: grey powder coating with orange peel finish RAL 7016



weight: 0,400 kg
0,881 lb



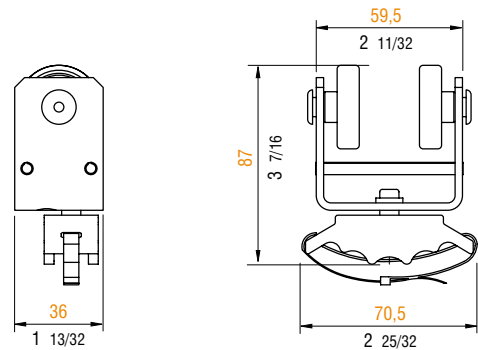
volume: 0,0020 cu m
0,0707 cu ft



max. load: 9 kg
20 lb

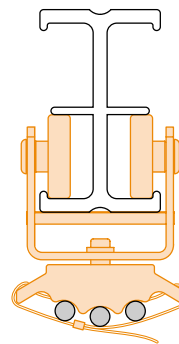
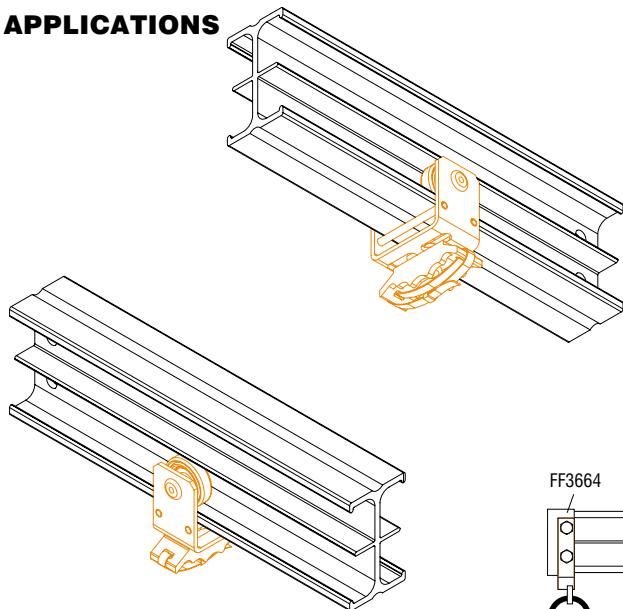


weight: 0,400 kg
0,881 lb

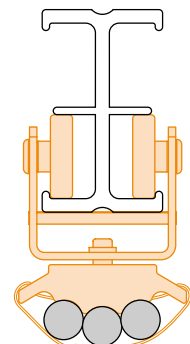


scale 1:3

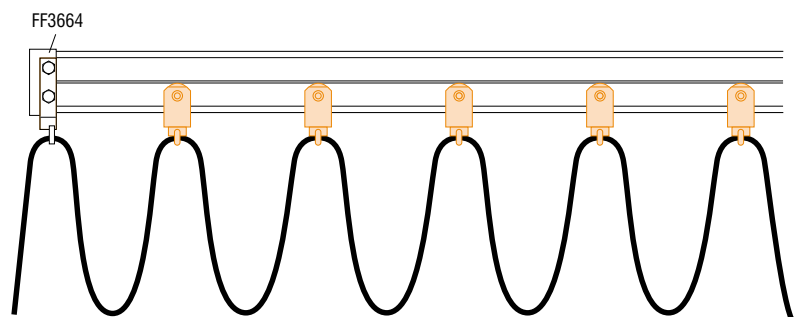
APPLICATIONS



3 cables Ø 8 min



3 cables Ø 16 max



Metric measurements should be taken as reference. Imperial values have been calculated from metric and rounded to nearest 1/32 inch. **IMPORTANT:** installation must be carried out by qualified personnel and in accordance with the safety regulations of the country/region of installation.