

FF3601



Rail clamps

Rail clamp kit for IFF brackets. The kit includes 2 clamps and hardware to mount the clamps to IFF brackets. (M8 nuts and M8x25 bolts)



material: steel



finish: white zinc plated



weight: 0,248 kg
0,547 lb



volume: 0,0004 cu m
0,0141 cu ft

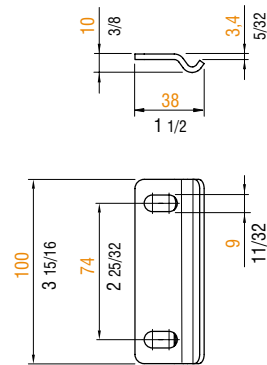


max. load: 200 kg
441 lb



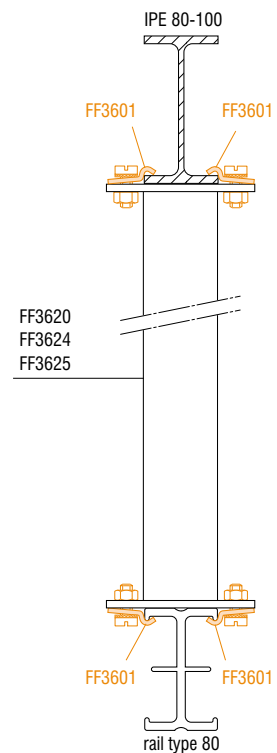
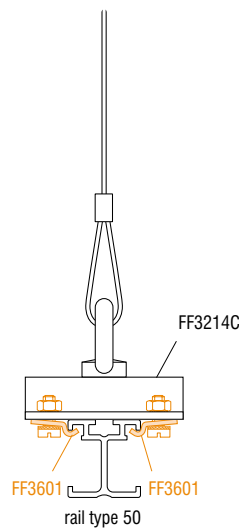
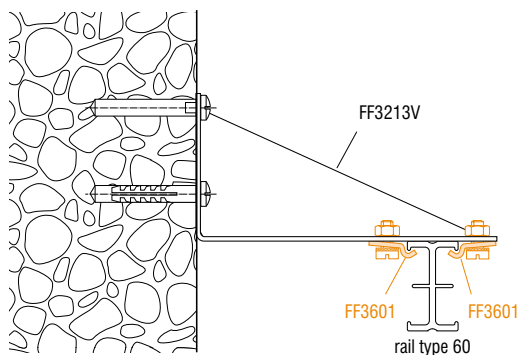
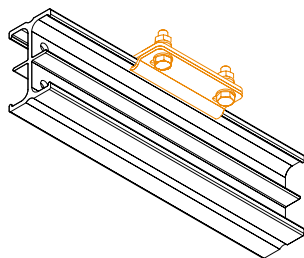
weight: 0,248 kg
0,547 lb

4



scale 1:4

APPLICATIONS



Metric measurements should be taken as reference. Imperial values have been calculated from metric and rounded to nearest 1/32 inch. **IMPORTANT:** installation must be carried out by qualified personnel and in accordance with the safety regulations of the country/region of installation.