

## FF3706



### Carriage for cross pipes

Carriage with clamp for pipes up to 52mm (2") diameter; with 6 bearing wheels and twist lock.

material main body: steel  
part: blue plastic

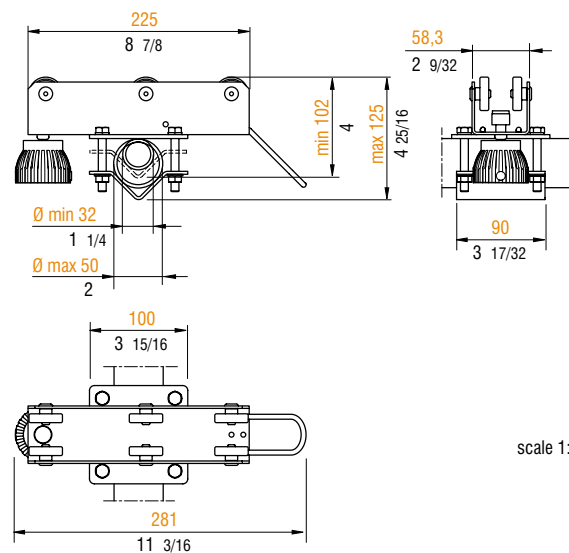
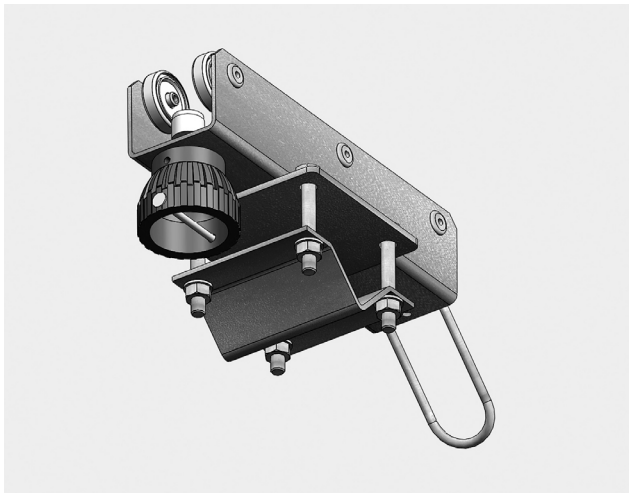
finish: grey powder coating with orange peel finish RAL 7016

weight: 1,590 kg  
3,504 lb

volume: 0,0060 cu m  
0,2120 cu ft

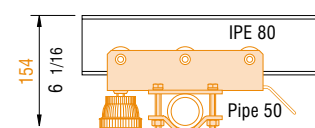
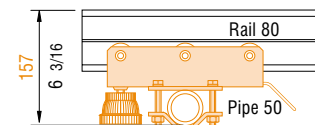
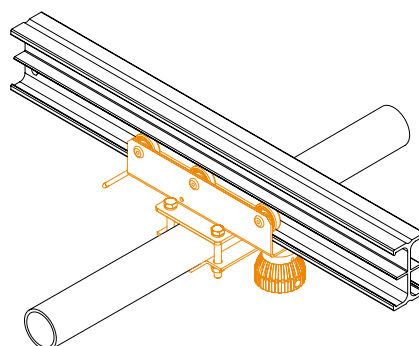
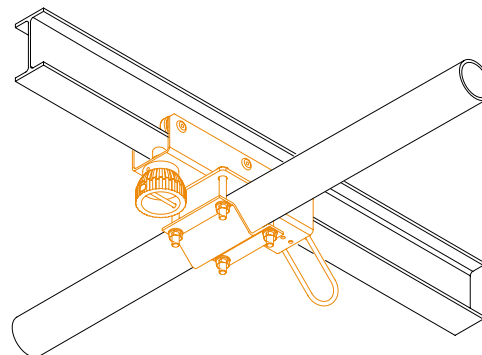
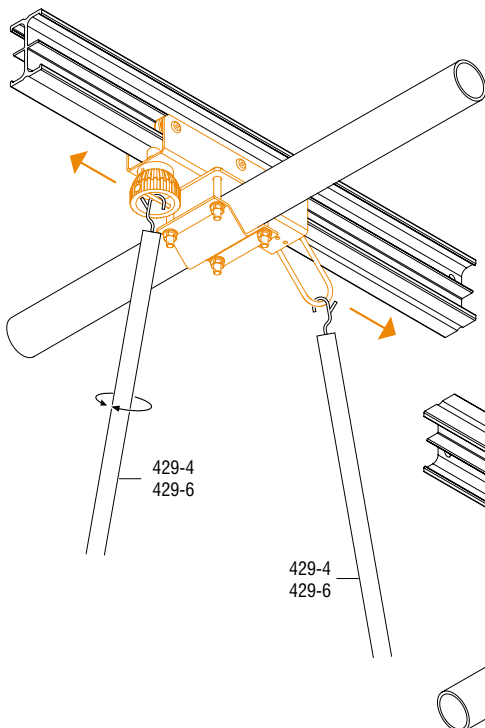
max. load: 200 kg  
441 lb

weight: 1,700 kg  
3,744 lb



scale 1:7,5

### APPLICATIONS



scale 1:10

Metric measurements should be taken as reference. Imperial values have been calculated from metric and rounded to nearest 1/32 inch.   
IMPORTANT: installation must be carried out by qualified personnel and in accordance with the safety regulations of the country/region of installation.