

ORION 4 – 1250W x 4 CYCLORAMA SOFTLIGHT

26055

Operational Data	
Power consumption	5000 W
Supply voltage	120 – 240 V
Tilt adjustment	Floor standing
Focus adjustment	Fixed beam
Accessory fitting	Integral wire mesh safety guard 3 mm x 3 mm with quick release fastener and flexible colour frame
Colour frame	245 mm x 290 mm
Filter cut size diameter	240 mm x 285 mm
Lamp holder	R7s
Lamp access	After removal of wire mesh safety guard 3 mm x 3 mm and colour frame
Safety	Compartment fitted with wire mesh safety guard 3 mm x 3 mm
IP rating	IP 20
Max operating ambient temperature	45°
Optical Data	
Reflector	Asymmetric multi-curve reflectors with special anodised coating for high-efficiency finish
Mechanical Data	
Finish	High-quality epoxy powder coating Special extra high-temperature treatment in critical areas External textured low gloss finish
Lamp housing	Formed sheet steel lamp housing house compartment

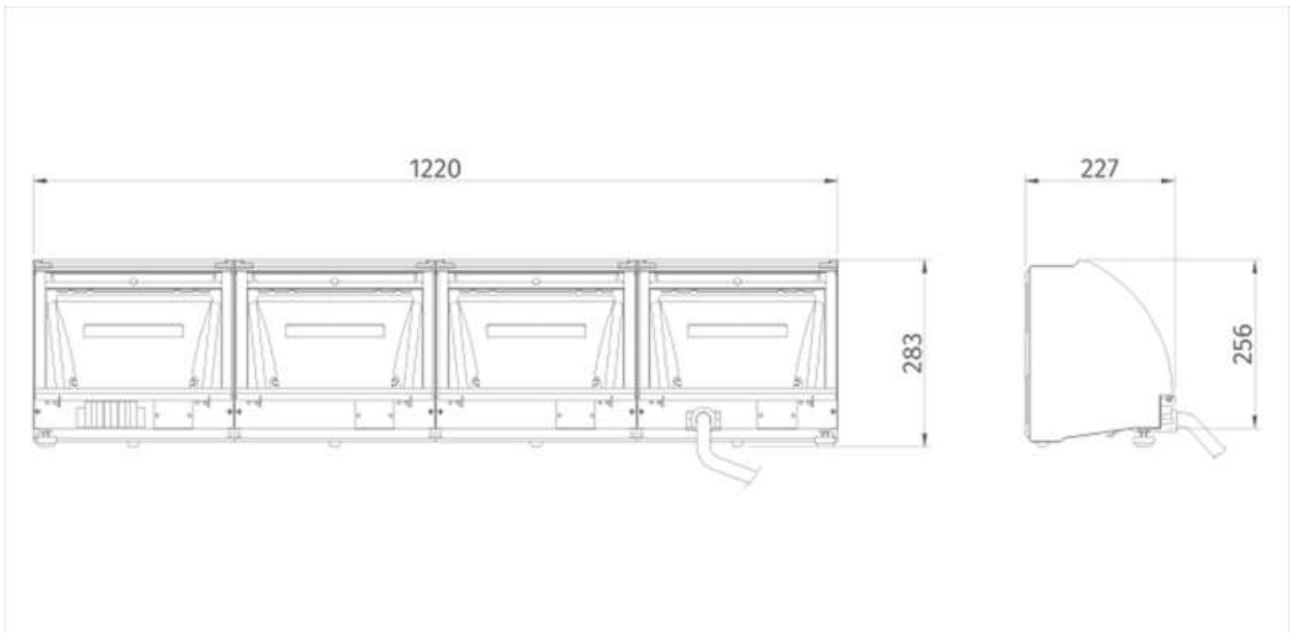
Electrical

Cable/switching	5 m bare ended cable (no switch) 3 x 1.5 mm ² section cable on each compartment Plugs and cables upon request
-----------------	---

Dimensions

Weight	14.5 kg
Packed volume	1260 mm x 280 mm x 330 mm

Technical drawings



Photometrics

ORION ground rows are designed to evenly illuminate a cyclorama and rely on the overlap of light from adjacent compartments. They are intended to be placed 1.2 m from the bottom of the cyclorama with 1.2 m spacing between each compartment of each color circuit. ORION groundrows can be used in conjunction with IRIS top-lights to cover higher cycloramas or to provide mixed color washes.

Height from base or top of cyc (m)	1	2	3	4	5
Lux	1,900	1,450	975	675	475

Typical performance based on P2/7 1000 W lamp

Lamp Data

Lamp code	P2/12 1250 W 230/240 V
Base	R7s
Lumens	33,500
Color Temperature	3200 K

Lamp code	P2/7 1000 W 230/240 V
Base	R7s
Lumens	26,000
Color Temperature	3200 K

Lamp code	P2/10 625 W 230/240 V
Base	R7s
Lumens	16,900
Color Temperature	3200 K