

FF3674



Flat Adapter Bracket for IFF rail systems to "I" beams

Bracket to mount IFF rails to steel beams from IPE 120 to IPE 240.



material: steel



finish: grey powder coating with orange peel finish RAL 7016



weight: 2,070 kg
4,562 lb



volume: 0,0020 cu m
0,0707 cu ft

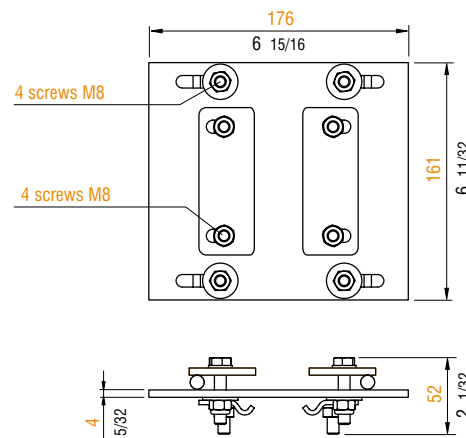
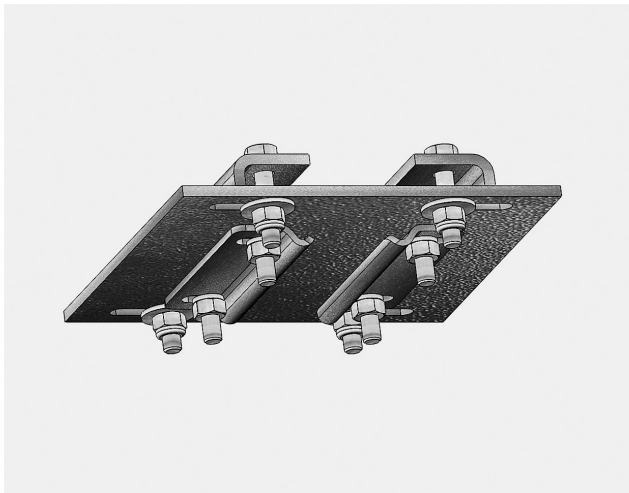


max. load: 200 kg
441 lb



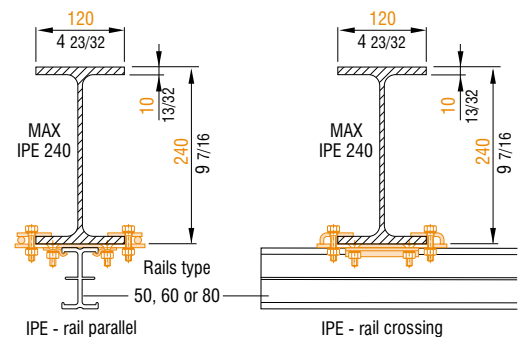
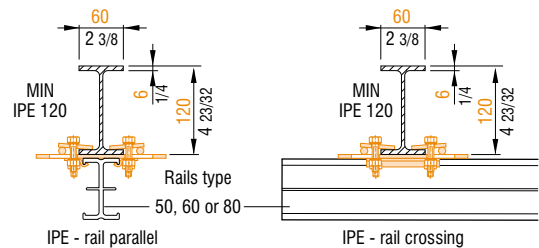
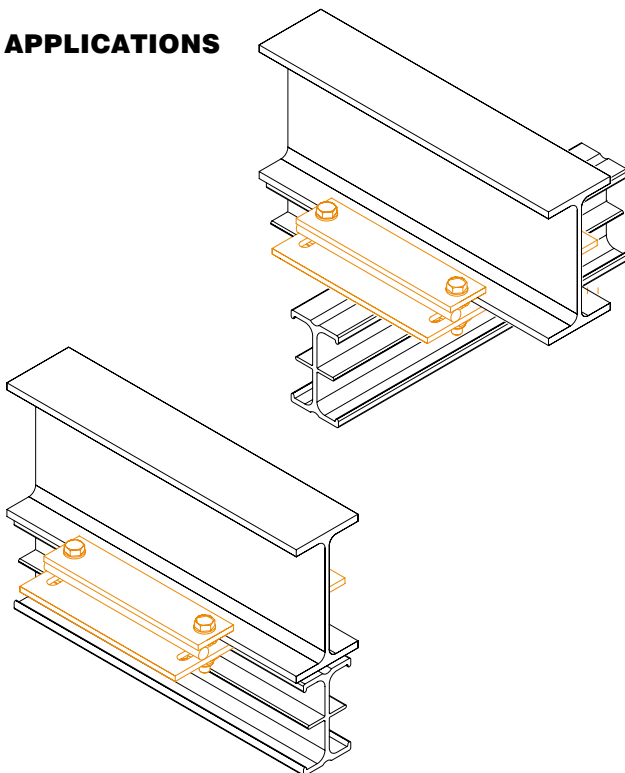
weight: 2,090 kg
4,604 lb

4



scale 1:4

APPLICATIONS



Metric measurements should be taken as reference. Imperial values have been calculated from metric and rounded to nearest 1/32 inch.
IMPORTANT: installation must be carried out by qualified personnel and in accordance with the safety regulations of the country/region of installation.