

FF3614



Adapter Bracket for "I" beam to IFF rail system

FF3614 can be easily attached to I beams. With the brackets FF3601, FF3605 or FF3606 you can suspend rails, pipes or IPE80.



material: steel



finish: grey powder coating with orange peel finish RAL 7016



weight: 1,108 kg
2,442 lb



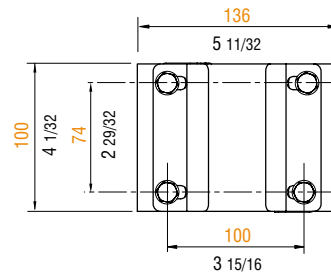
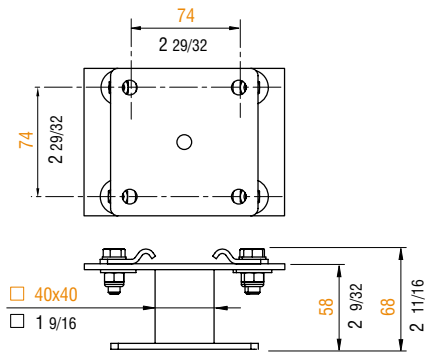
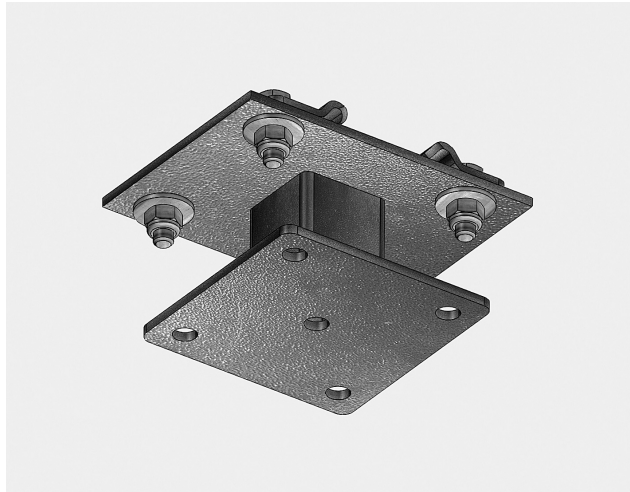
volume: 0,0020 cu m
0,0707 cu ft



max. load: 200 kg
441 lb

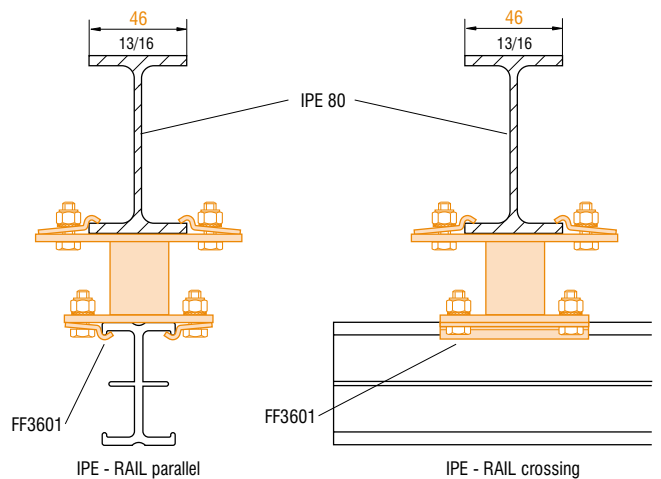
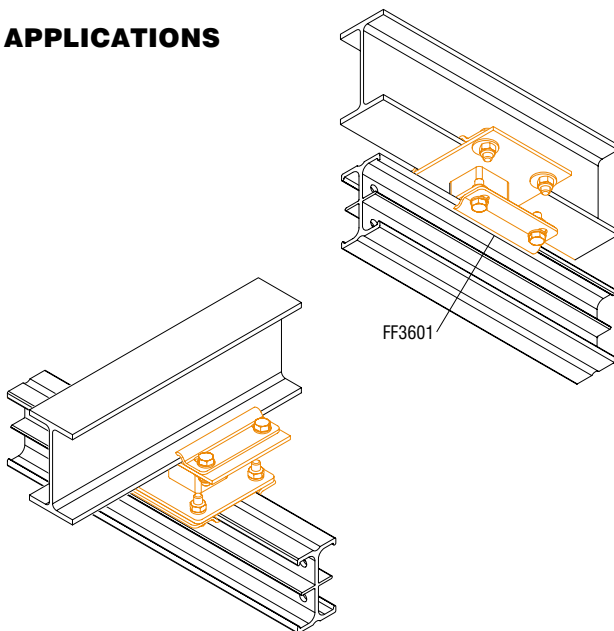


weight: 1,450 kg
3,194 lb



scale 1:5

APPLICATIONS



Metric measurements should be taken as reference. Imperial values have been calculated from metric and rounded to nearest 1/32 inch. IMPORTANT: installation must be carried out by qualified personnel and in accordance with the safety regulations of the country/region of installation.