

**TELESCOPIC OPERATING POLE**

429-4,0: length 4 m - 13,11 ft  
429-6,0: length 6 m - 19,68 ft

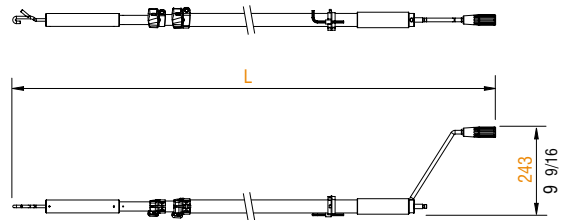
Available in two different length. The operating pole can be used manually or with portable drill with sufficient power (14V to 18V). Specific designed clips (FF3861 Kit of 2 pcs.) mounted on the operating cup (see drawing) will assure a precise and firm hooking. Special design of the hook for vertical and horizontal positioning of spring pantographs.



material: aluminium

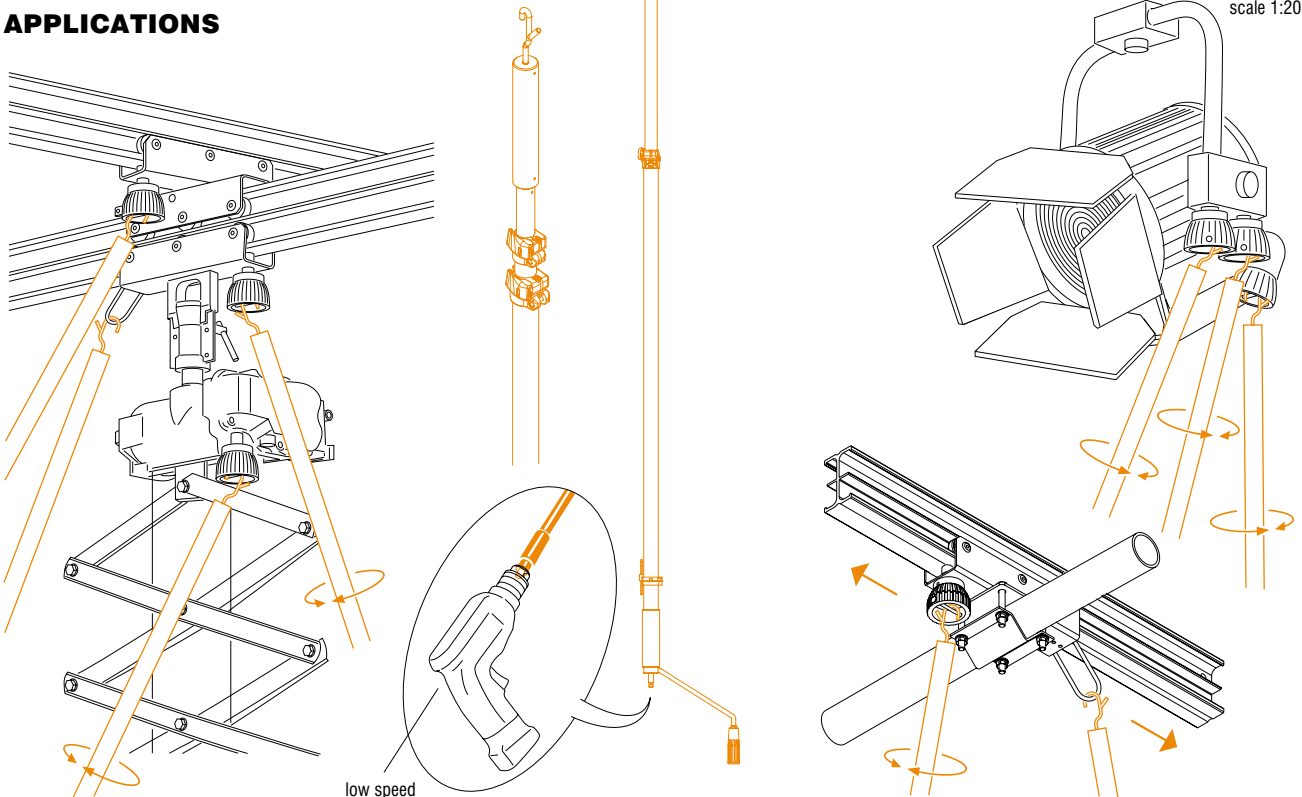
finish: silver

	429-4	429-6
<b>L</b> max width:	4000 mm 157 1/2 inch	6000 mm 236 7/32 inch
<b>L</b> closed width:	1930 mm 75 31/32 inch	2600 mm 102 3/8 inch
<b>U</b> weight:	2,6 kg 5,73 lb	2,9 kg 6,39 lb
<b>C</b> volume:	0,08 cu m 2,825 cu ft	0,105 cu m 3,708 cu ft
<b>U</b> weight:	3,3 kg 7,28 lb	3,65 kg 8,04 lb



scale 1:20

**APPLICATIONS**



low speed drill (MAX 150 RPM)

Metric measurements should be taken as reference. Imperial values have been calculated from metric and rounded to nearest 1/32 inch. **IMPORTANT:** installation must be carried out by qualified personnel and in accordance with the safety regulations of the country/region of installation.