

FF3755

50

Switch 3/3 rail 50

Switch for triple cyclorama Rail Type 50 system. To connect parking rails or feeding rails to the main curtain rail system. Closed loop curtain systems require switches for inserting or removing curtains for maintenance.



material: steel



finish: grey powder coating with orange peel finish RAL 7016



weight: 25 kg
55.115 lb



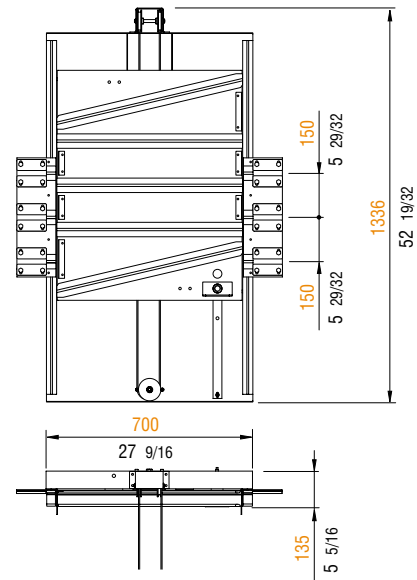
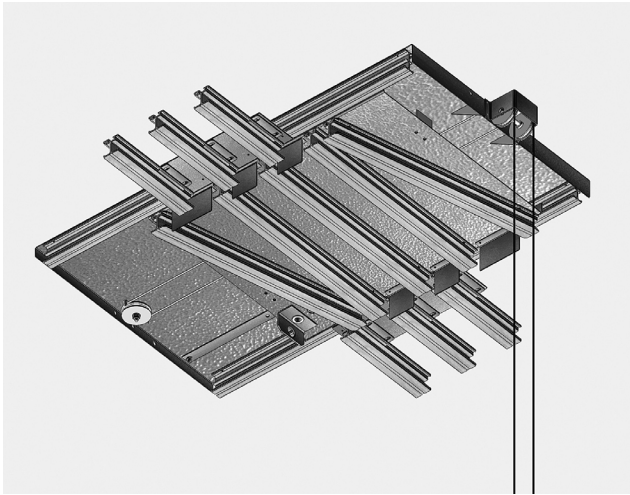
volume: NA



max. load: NA

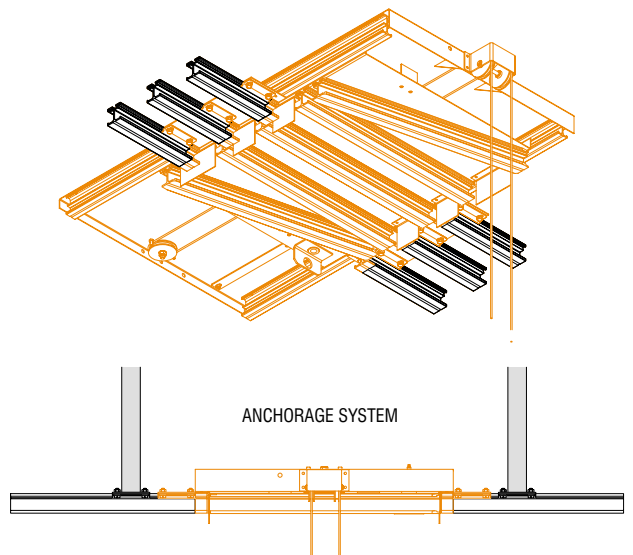
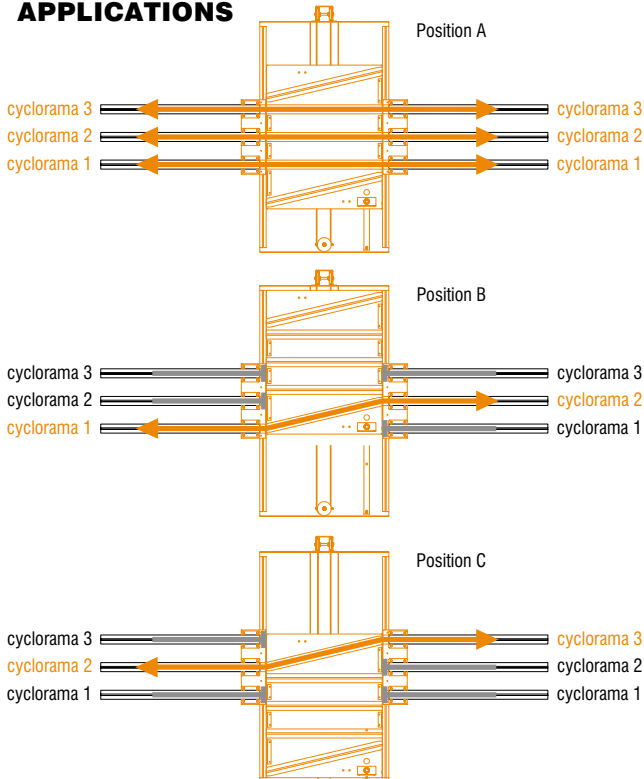


weight: NA



scale 1:25

APPLICATIONS



Metric measurements should be taken as reference. Imperial values have been calculated from metric and rounded to nearest 1/32 inch. IMPORTANT: installation must be carried out by qualified personnel and in accordance with the safety regulations of the country/region of installation.