

FF3620 - FF3624 - FF3625



Extension bracket

FF3620: Extension bracket 35 cm length

FF3624: Extension bracket 65 cm length

FF3625: Extension bracket. Length on request



material: steel



max. load: 250 kg
551 lb



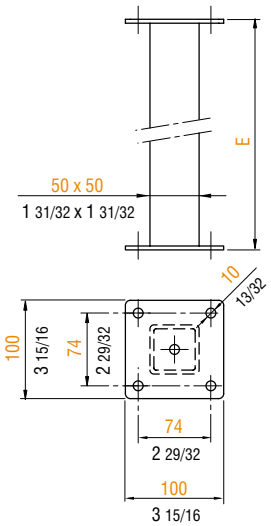
finish: grey powder coating with orange peel finish RAL 7016

Extension bracket to suspend IFF rails, pipes or steel beam to ceilings with height differences.



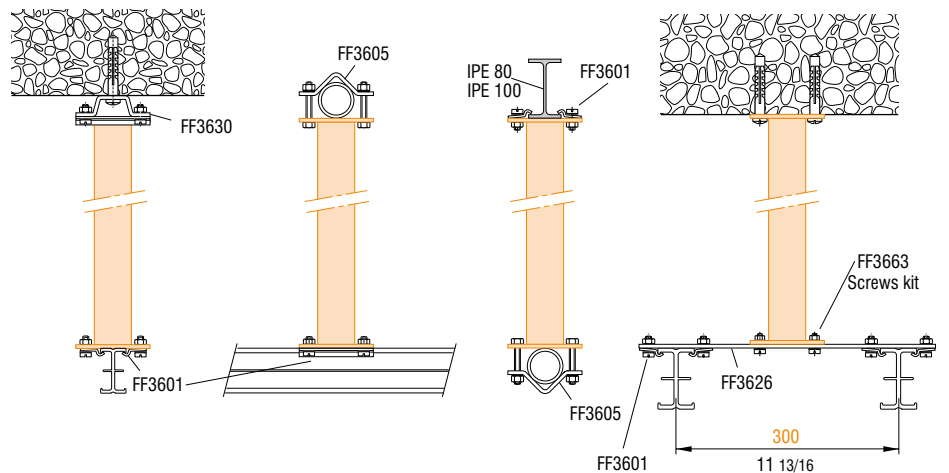
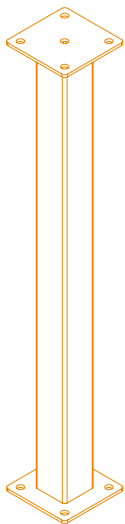
	FF3620	FF3624	FF3625
E width:	mm 350	650	on request
	inch 13 25/32	25 19/32	
weight:	kg 1,610	2,500	NA
	lb 3,548	5,510	
volume:	cu m 0,0040	0,0075	NA
	cu ft 0,1413	0,2650	
weight:	kg 1,800	2,600	NA
	lb 3,965	5,727	

Extensions in other lengths (E) are available on request.



scale 1:7,5

APPLICATIONS



Metric measurements should be taken as reference. Imperial values have been calculated from metric and rounded to nearest 1/32 inch. **IMPORTANT:** installation must be carried out by qualified personnel and in accordance with the safety regulations of the country/region of installation.