

FF3707S120



Detachable carriage with twist lock and universal head

One side of the carriage can be removed to attach or detach the carriage to/from the IPE120 beam.

Universal head with 1-1/8" and 5/8" female and 5/8" male attachment



material main body: steel
part: blue plastic



finish: grey powder coating with orange peel finish RAL 7016



weight: **2,000 kg**
4,408 lb



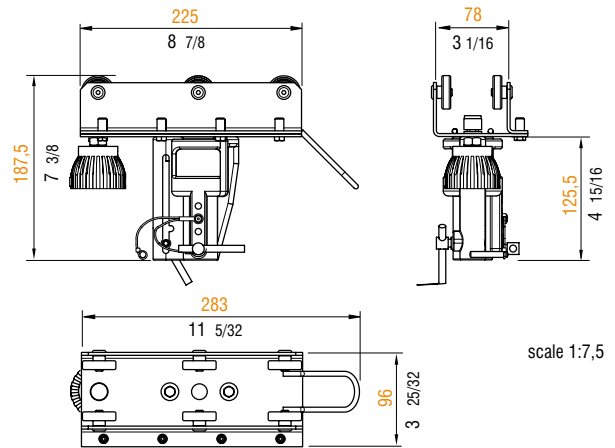
volume: **0,006 cu m**
0,2120 cu ft



max. load: **90 kg**
198 lb

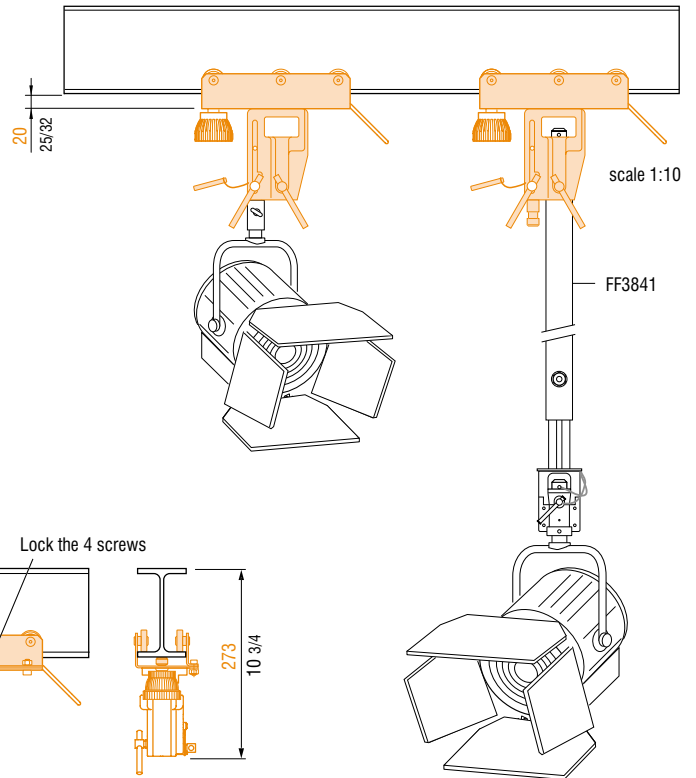
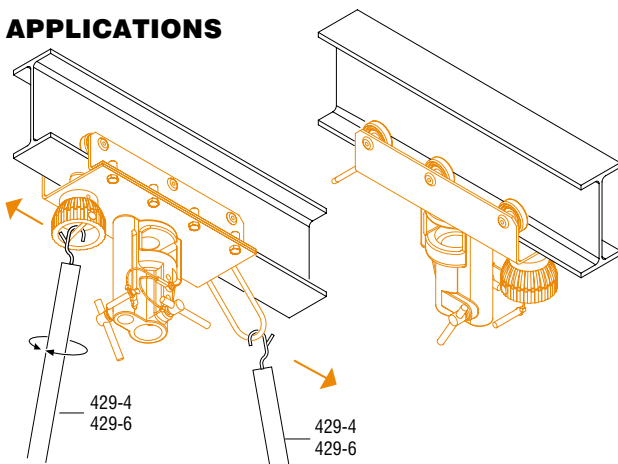


weight: **2,102 kg**
4,63 lb

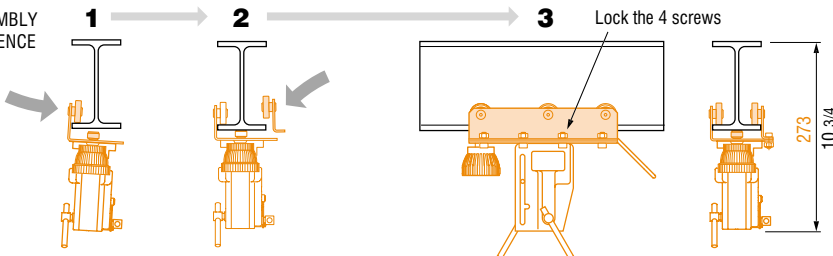


5

APPLICATIONS



ASSEMBLY SEQUENCE



Metric measurements should be taken as reference. Imperial values have been calculated from metric and rounded to nearest 1/32 inch. **IMPORTANT:** installation must be carried out by qualified personnel and in accordance with the safety regulations of the country/region of installation.