

FF3673C



Alignment connector for curved rails

Two steel plates to connect 2 curved rails or a curved rail and a straight rail end to end. Hardware included.



material: steel



finish: white zinc plated



weight: 0,254 kg
0,560 lb



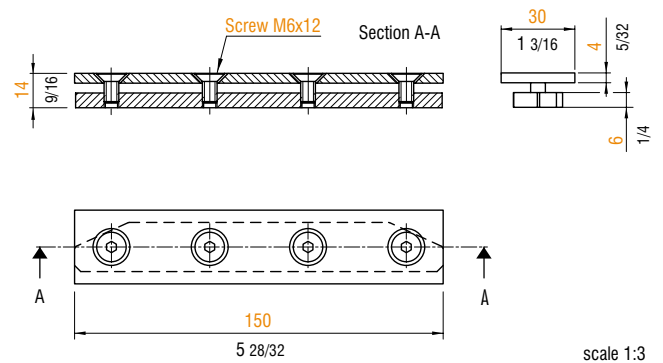
volume: 0,0007 cu m
0,0247 cu ft



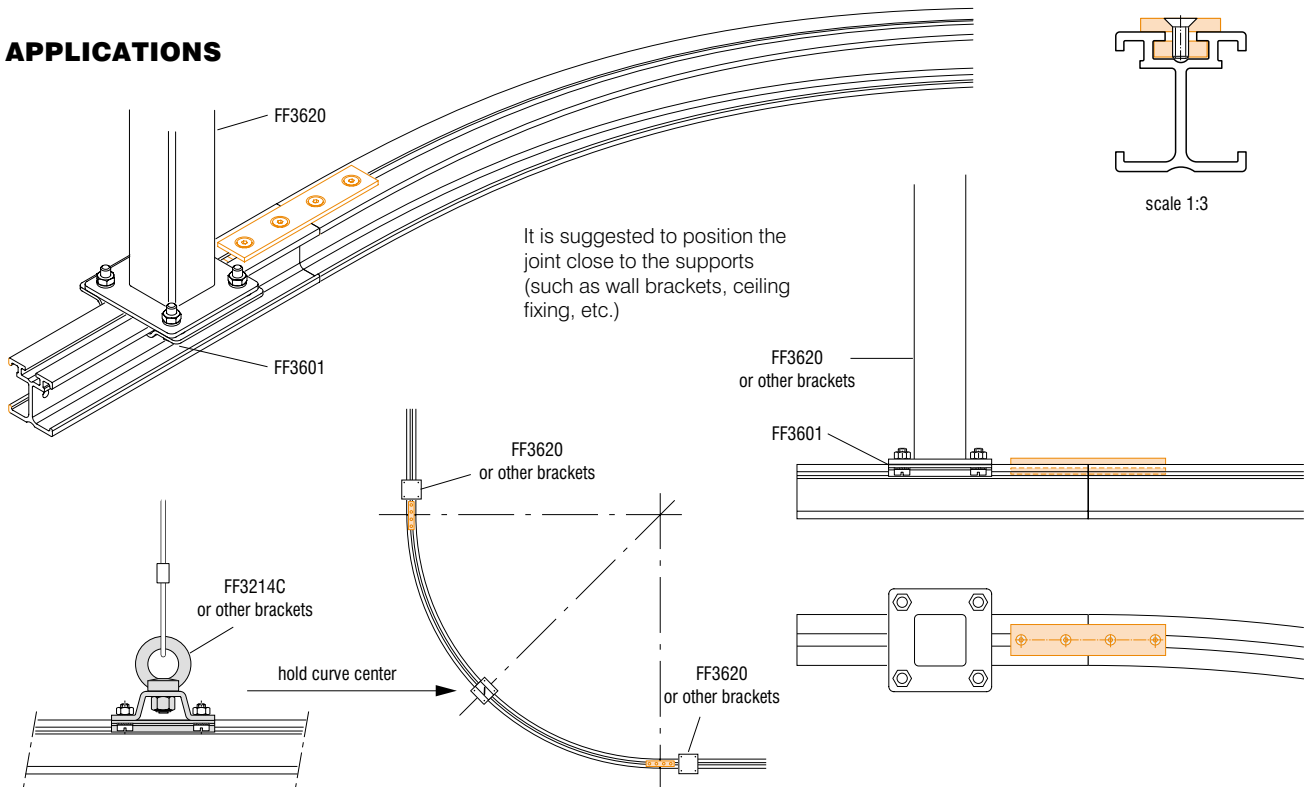
max. load: NA



weight: 0,265 kg
0,584 lb



APPLICATIONS



Metric measurements should be taken as reference. Imperial values have been calculated from metric and rounded to nearest 1/32 inch. **IMPORTANT:** installation must be carried out by qualified personnel and in accordance with the safety regulations of the country/region of installation.