

**FF3208**

60

Alignment connector

Two steel plates to connect rails end to end. Hardware included  
Not suitable for moving rails.

material: steel

finish: white zinc plated

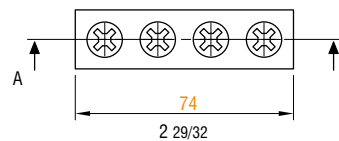
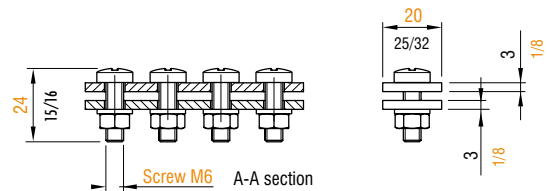
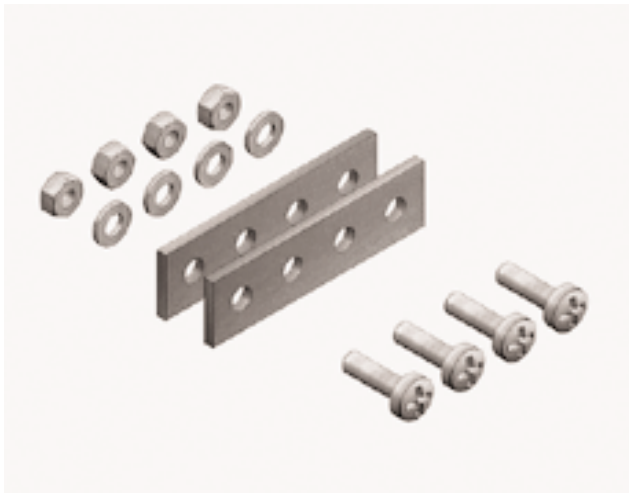
weight: 0,084 kg  
0,185 lb

volume: 0,0004 cu m  
0,0141 cu ft

max. load: NA

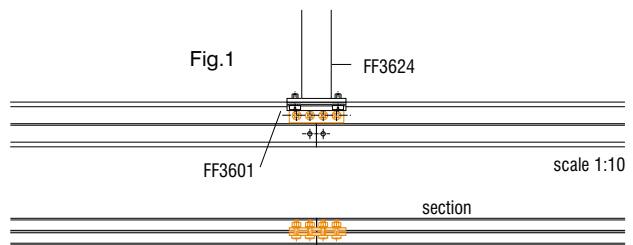
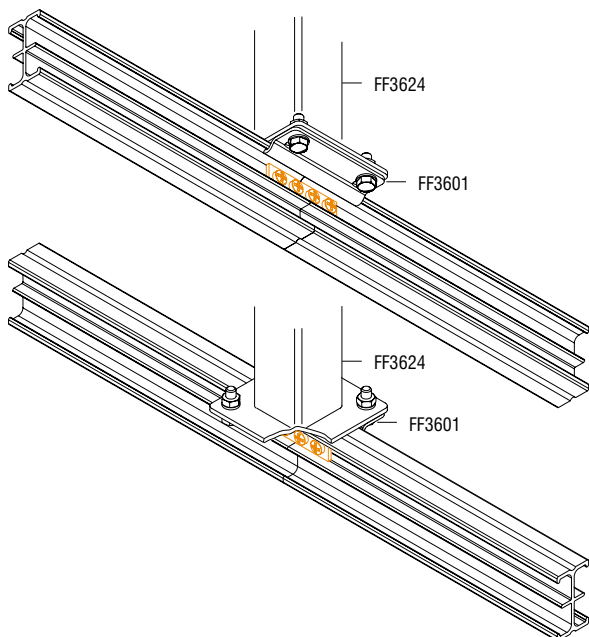
weight: 0,090 kg  
0,198 lb

2



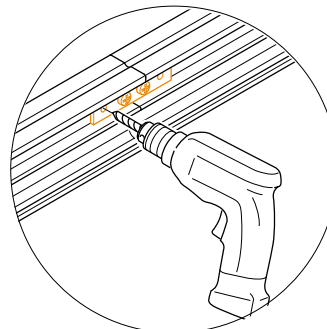
scale 1:2,5

**APPLICATIONS**



**JUNCTION OF TWO FIXED STRAIGHT OR CURVED RAILS**

Place one alignment connector on each side of the rail junction. Make sure that the two center holes of the alignment connector line up with the existing holes in the rails. Use the enclosed bolts to assemble the joint. Line up the rails properly before drilling 2 addition holes (Ø 7mm 2/8). Use the two remaining bolts to secure the joint.



**IMPORTANT:** Don't place the alignment connectors in the lower section of the rail where the carriages run.

**IMPORTANT:** Use always a support bracket at a rail junction fig. 1).

Metric measurements should be taken as reference. Imperial values have been calculated from metric and rounded to nearest 1/32 inch.   
**IMPORTANT:** installation must be carried out by qualified personnel and in accordance with the safety regulations of the country/region of installation.