

**FF3708**



Carriage with twist lock and 1 1/8" female attachment

Twist lock holds carriage in position. Use operating pole to open or release the twist lock.



material main body: steel  
part: blue plastic



finish: grey powder coating with orange peel finish RAL 7016



weight: 1,324 kg  
2,918 lb



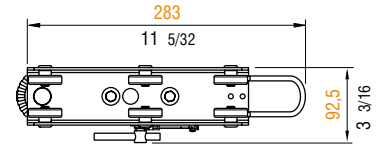
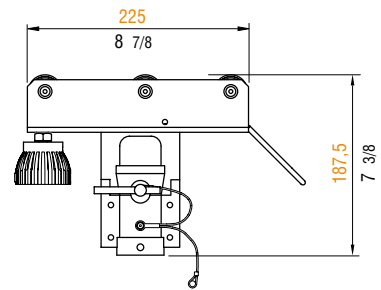
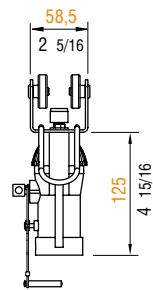
volume: 0,0060 cu m  
0,2120 cu ft



max. load: 90 kg  
198 lb

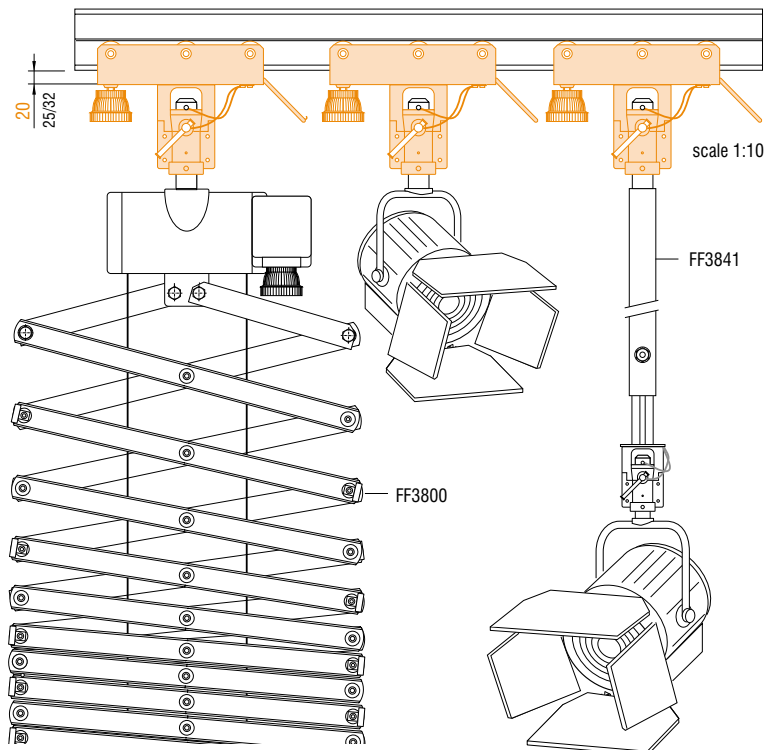
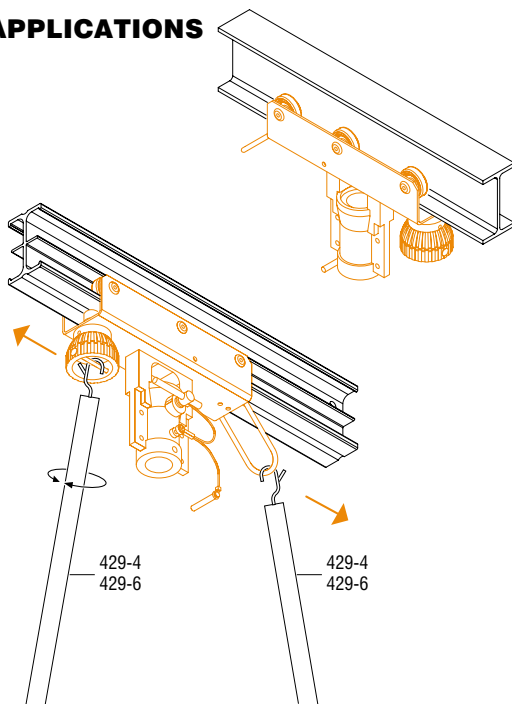


weight: 1,465 kg  
3,227 lb



scale 1:7,5

**APPLICATIONS**



scale 1:10

Metric measurements should be taken as reference. Imperial values have been calculated from metric and rounded to nearest 1/32 inch.   
IMPORTANT: installation must be carried out by qualified personnel and in accordance with the safety regulations of the country/region of installation.