



FF3229L

⚖ 60


Curtain carriage with twist lock


Use at both ends of the curtain to secure the curtain end position.
Locking cup is also used to pull carriage along rail

 material: main body: steel
part: blue plastic

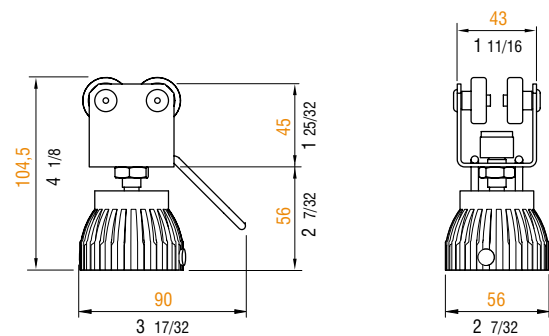
 finish: grey powder coating with orange peel finish RAL 7016

 weight: 0,220 kg
0,485 lb

 volume: 0,0008 cu m
0,0283 cu ft

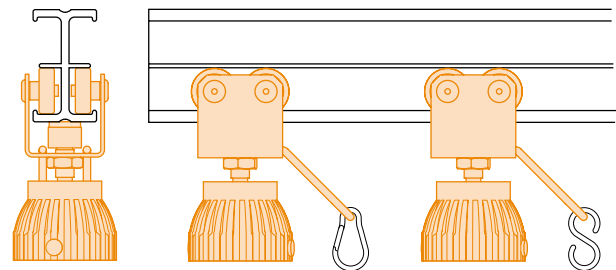
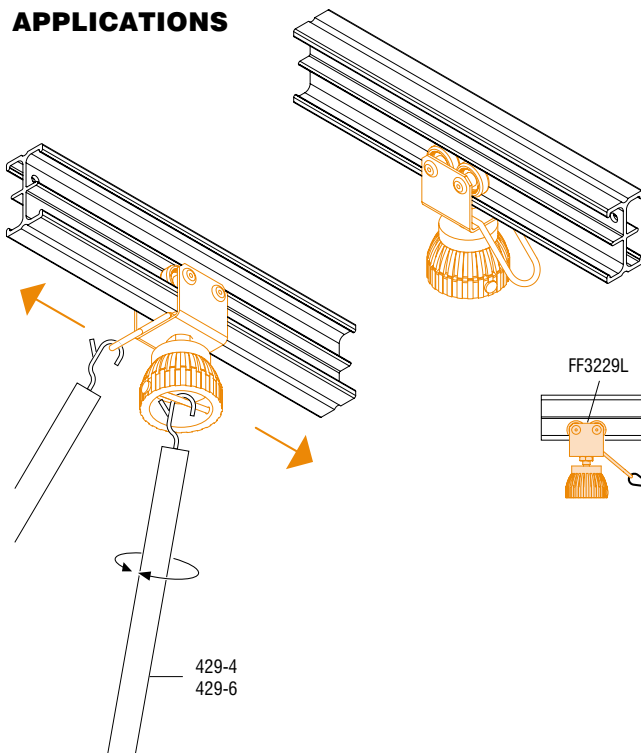
 max. load: NA

 weight: 0,260 kg
0,573 lb

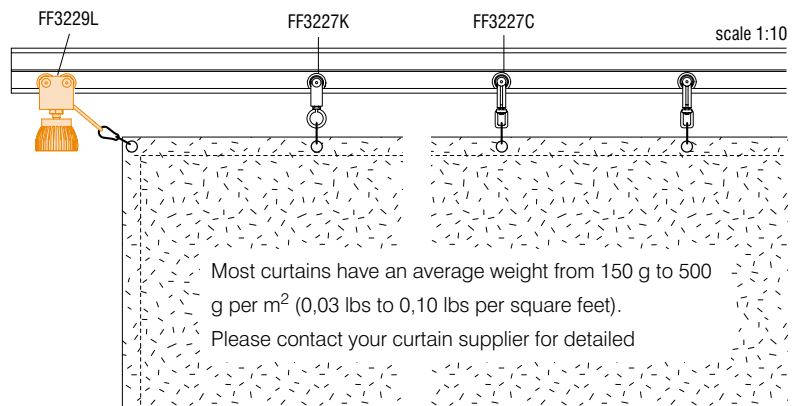


scale 1:4

APPLICATIONS

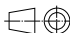


Hardware to attach curtains onto carriages not included.
Contact your curtain supplier for details.



Most curtains have an average weight from 150 g to 500 g per m² (0,03 lbs to 0,10 lbs per square feet).

Please contact your curtain supplier for detailed

Metric measurements should be taken as reference. Imperial values have been calculated from metric and rounded to nearest 1/32 inch. 
IMPORTANT: installation must be carried out by qualified personnel and in accordance with the safety regulations of the country/region of installation.