

FF3229T

± 60

Heavy duty curtain carriage with cup for pulling curtain

Steel carriage with bearing wheels.

Place one towing carriage every 25 carriages type FF3227K or FF3727C.

material: main body: steel
part: blue plastic

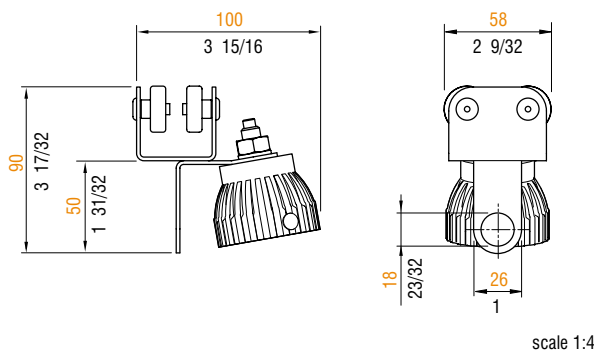
finish: grey powder coating with orange peel finish RAL 7016

weight: 0,300 kg
0,661 lb

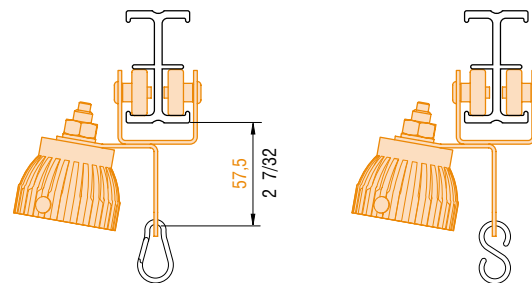
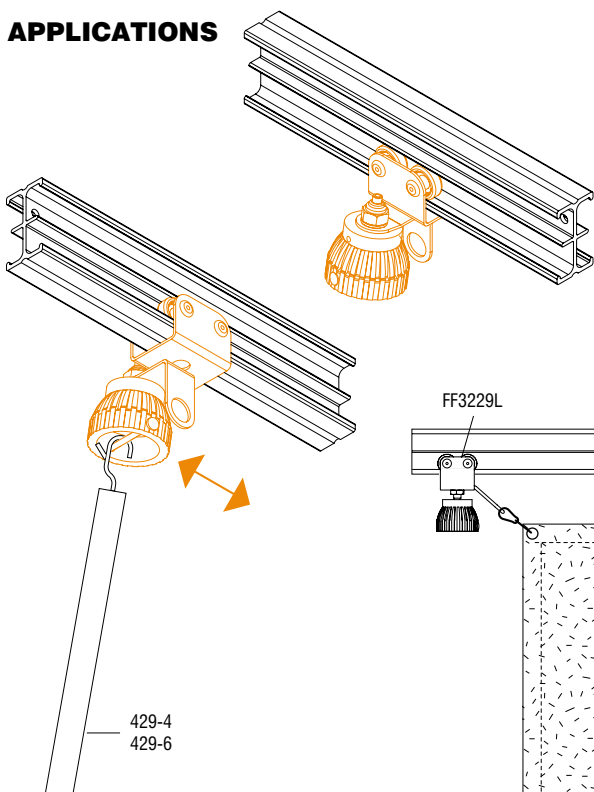
volume: 0,0015 cu m
0,0530 cu ft

max. load: 50 kg
110 lb

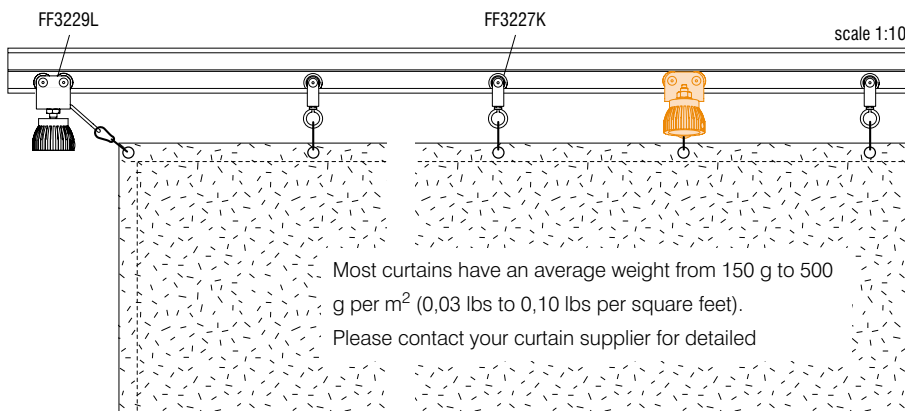
weight: 0,330 kg
0,727 lb



APPLICATIONS



Hardware to attach curtains onto carriages not included.
Contact your curtain supplier for details.



Most curtains have an average weight from 150 g to 500 g per m² (0,03 lbs to 0,10 lbs per square feet).
Please contact your curtain supplier for detailed

Metric measurements should be taken as reference. Imperial values have been calculated from metric and rounded to nearest 1/32 inch. **IMPORTANT:** installation must be carried out by qualified personnel and in accordance with the safety regulations of the country/region of installation.