



**FF3226F**

Wire rope cable carriage


Mounted on a taut 8mm(5/16") diameter steel wire to support up to 40mm x 40mm (1 9/16" x 1 9/16") for distances up to 12m (40').


 material main body: steel  
part: plastic

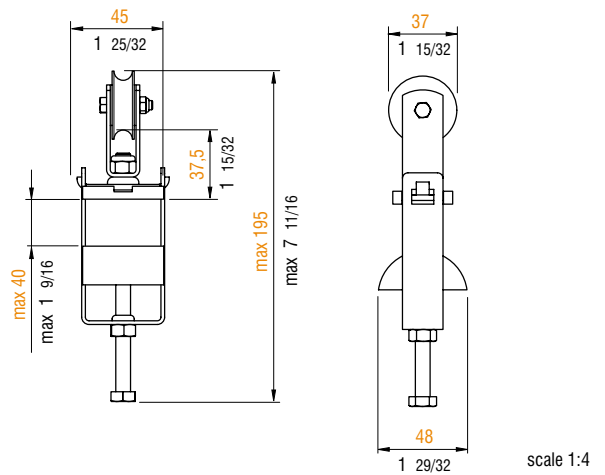
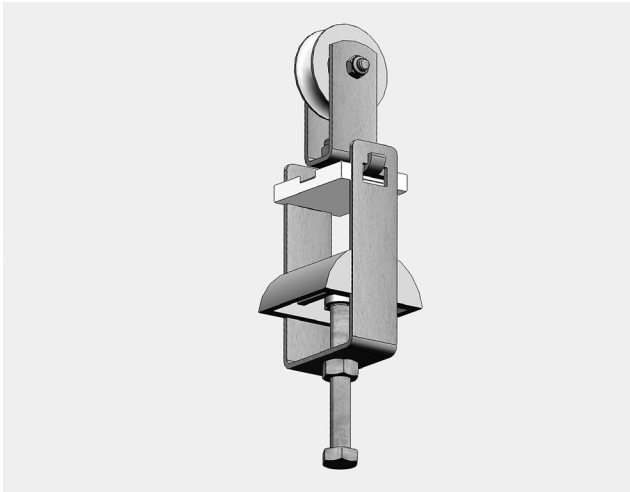
 finish: body tropicalized

 weight: 0,216 kg  
0,476 lb

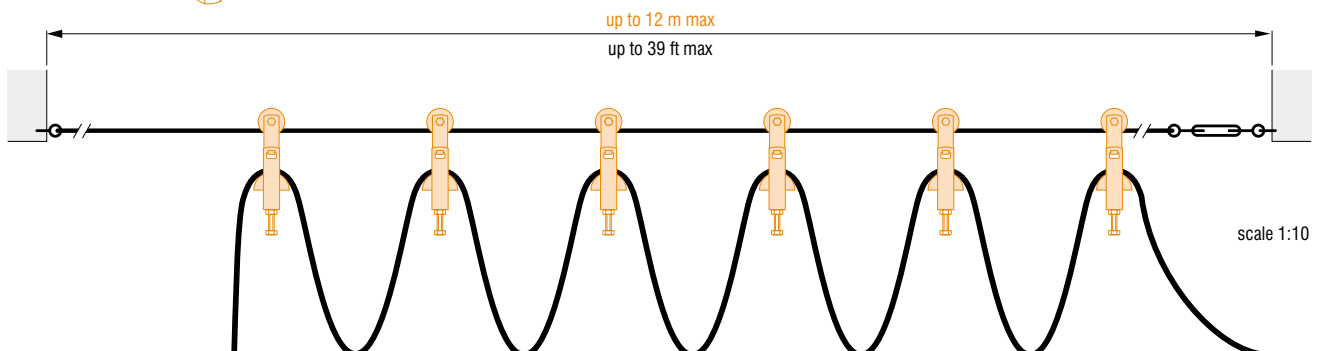
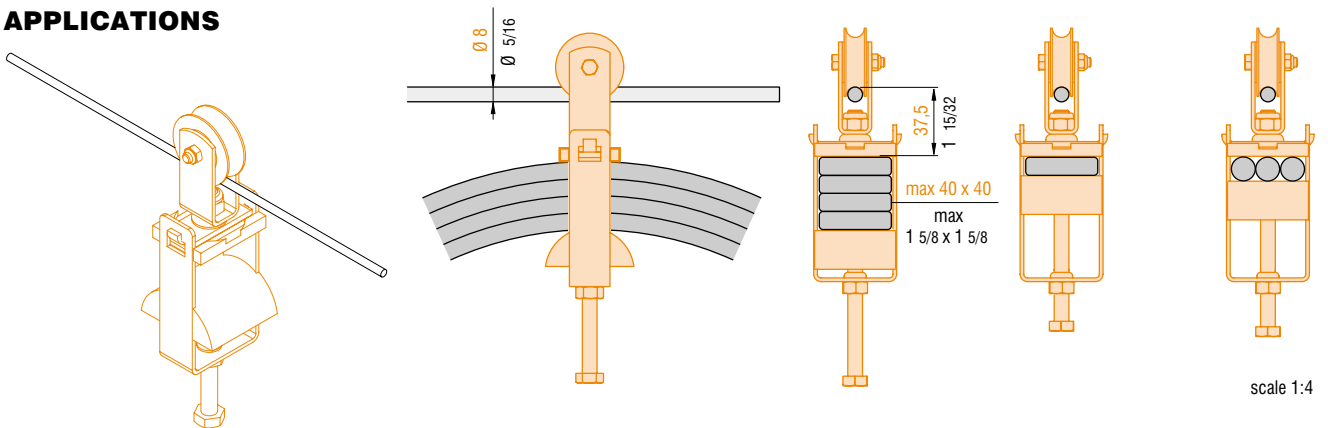
 volume: 0,0005 cu m  
0,0177 cu ft


 max. load: 9 kg  
20 lb

 weight: 0,216 kg  
0,476 lb



**APPLICATIONS**



Metric measurements should be taken as reference. Imperial values have been calculated from metric and rounded to nearest 1/32 inch.  IMPORTANT: installation must be carried out by qualified personnel and in accordance with the safety regulations of the country/region of installation.