

TELESCOPIC DROP-ARM - "D" version

FF3842D: Extension 44cm up to 65cm (17" to 25")

FF3841D: Extension 73cm up to 123cm (28" to 48")


FF3840D: Extension 113cm up to 200cm (44" to 78")


FF3844YD25: Extension 138cm up to 250cm (48" to 102")


FF3844YD30: Extension 163cm up to 300cm (68" to 122")

FF3844YD35: Extension 188cm up to 350cm (78" to 142")






FF3844YD40: Extension 213cm up to 400cm (88" to 162")

 material: steel

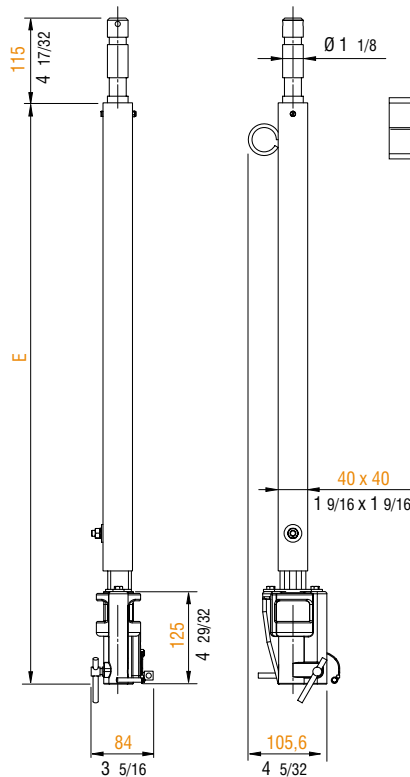
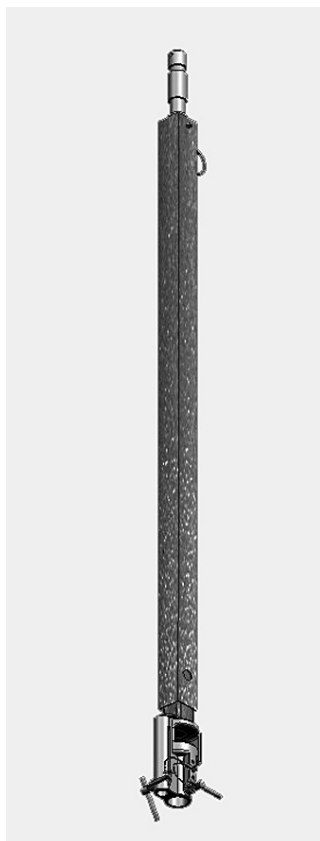
 max. load: 40 kg
88 lb

 finish: grey powder coating with orange peel finish RAL 7016

Extendable bracket with a 1-1/8" spigot on the top and a universal head (1-1/8"F + 5/8"F + 5/8" male) on the bottom; can be mounted on carriages or fixed clamps. Extension position is locked by tightening nut.

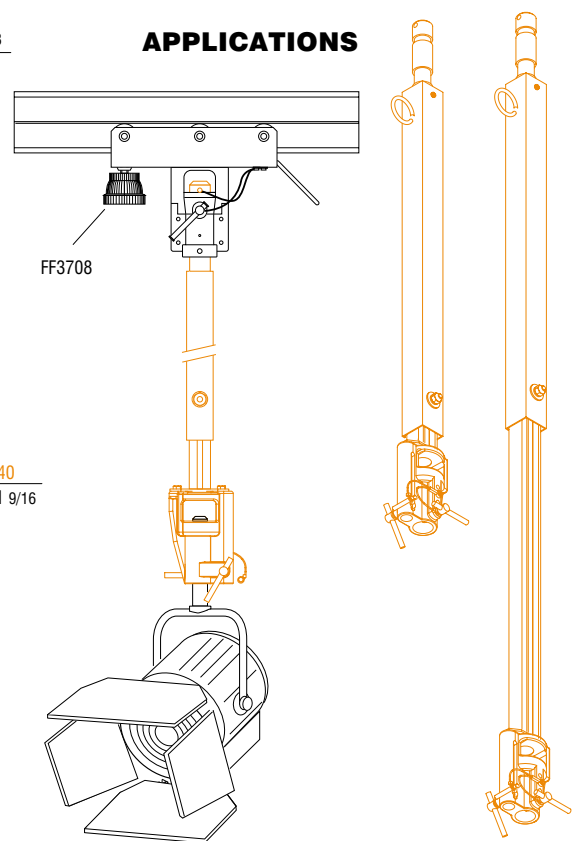
		FF3842D	FF3841D	FF3840D	FF3844YD25	FF3844YD30	FF3844YD35	FF3844YD40
 MIN:	mm	440	730	1130	1495	1745	1995	2245
	inch	17 5/16	28 3/4	44 15/32	58 27/32	68 11/16	78 17/32	88 3/8
 MAX:	mm	650	1230	2000	2615	3115	3615	4115
	inch	25 19/32	48 7/16	78 3/4	102 15/16	122 5/8	142 5/16	162
 weight:	kg	2,19	3,29	4,39	6,09	7,19	7,89	8,44
	lb	4,82	7,25	9,68	13,42	15,85	17,39	18,6
 volume:	cu m	0,0040	0,0060	0,0080	0,0100	0,0120	0,0150	0,0160
	cu ft	0,1412	0,2119	0,2825	0,3531	0,4238	0,5297	0,5650
 weight:	kg	2,89	3,99	5,09	6,79	7,89	8,59	9,14
	lb	6,37	8,79	11,22	14,97	17,39	19	20,15

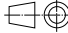
9



scale 1:10

APPLICATIONS



Metric measurements should be taken as reference. Imperial values have been calculated from metric and rounded to nearest 1/32 inch.  **IMPORTANT:** installation must be carried out by qualified personnel and in accordance with the safety regulations of the country/region of installation.