

C339



I 60

I 80

I 80
I 100

Grab clamp

Supplied without attachment, but with a 12,5 mm hole for custom fixings.



material: steel



finish: tropicalized



weight: 1,20 kg
2,64 lb



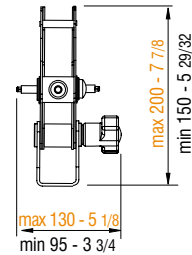
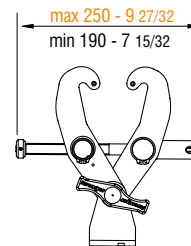
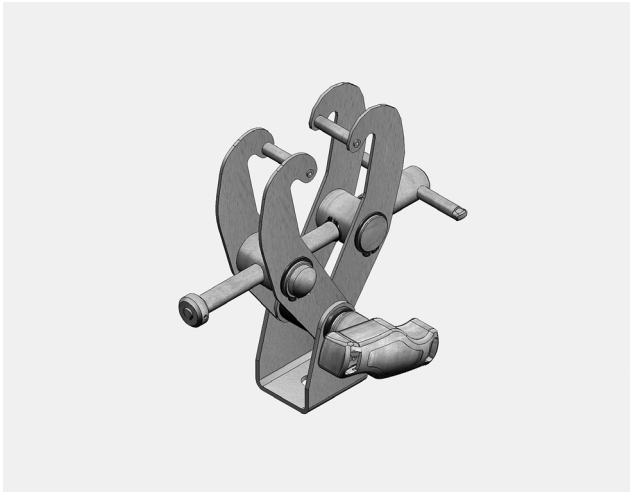
volume: 0,007 cu m
0,247 cu ft



max. load: 150 kg
330 lb



weight: 1,2 kg
2,64 lb



scale 1:7,5

APPLICATIONS

