

FF3710S120

I 120

Detachable carriage with twist lock and 1-1/8" female attachment

One side of the carriage can be removed to attach or detach the carriage to/from the IPE 120. Rail carriage with 1-1/8" female attachment. Twist lock holds carriage in position. Use operating pole to open or release the twist lock.

material main body: steel & aluminium
part: blue plastic

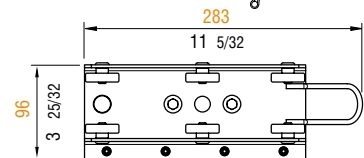
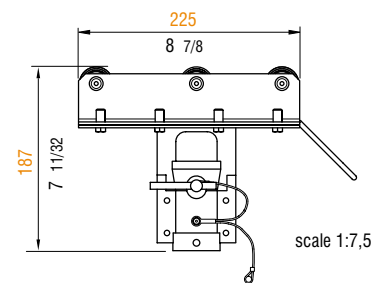
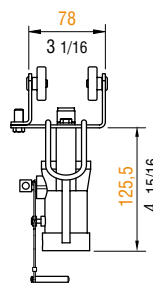
finish: grey powder coating with orange peel finish RAL 7016

weight: 1,810 kg
3,989 lb

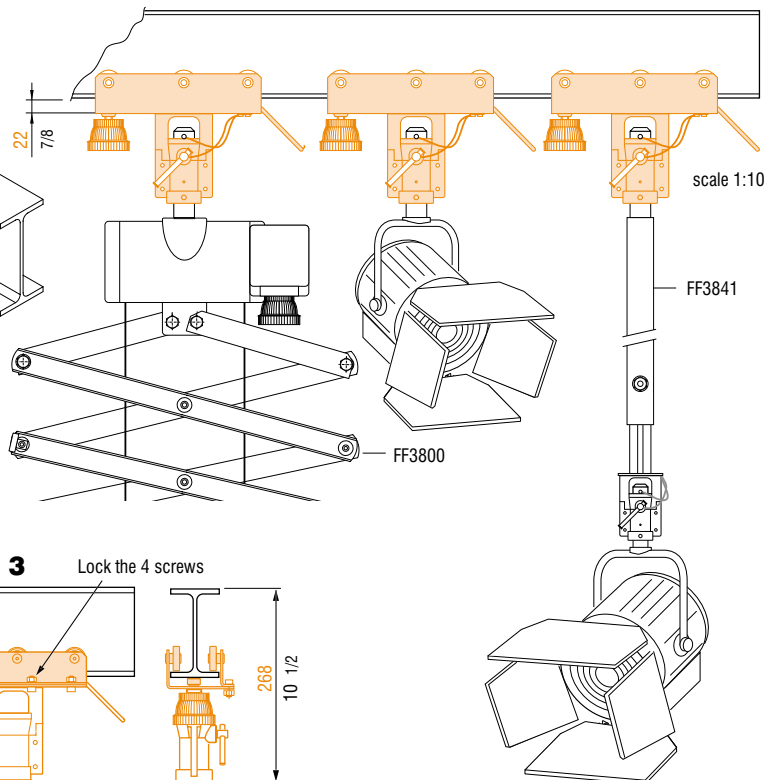
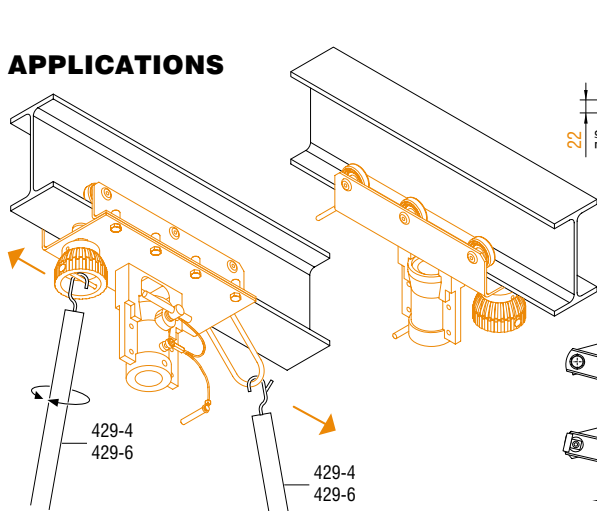
volume: 0,006 cu m
0,211 cu ft

max. load: 90 kg
198 lb

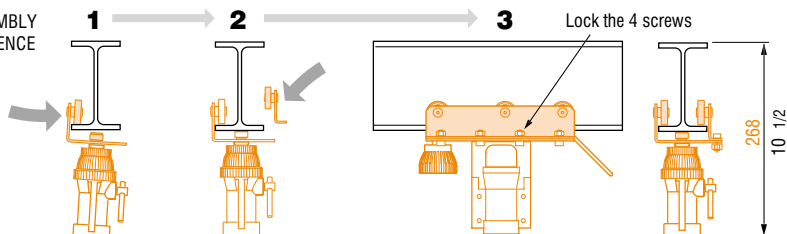
weight: 1,912 kg
4,215 lb



APPLICATIONS



ASSEMBLY SEQUENCE



Metric measurements should be taken as reference. Imperial values have been calculated from metric and rounded to nearest 1/32 inch.
IMPORTANT: installation must be carried out by qualified personnel and in accordance with the safety regulations of the country/region of installation.