



E200

Spigot adapter 5/8" to 1-1/8"


The adapter converts a 5/8" (16mm) female attachment into a 1-1/8" (29mm) spigot.

 material: steel

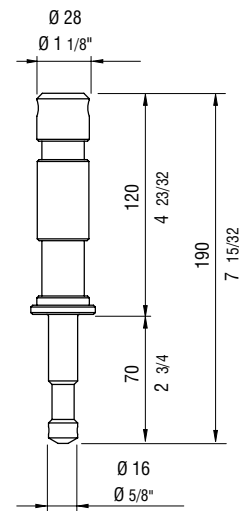
 finish: chrome plated

 weight: 0,62 kg
1,37 lb

 volume: 0,00014 cu m
0,0049 cu ft

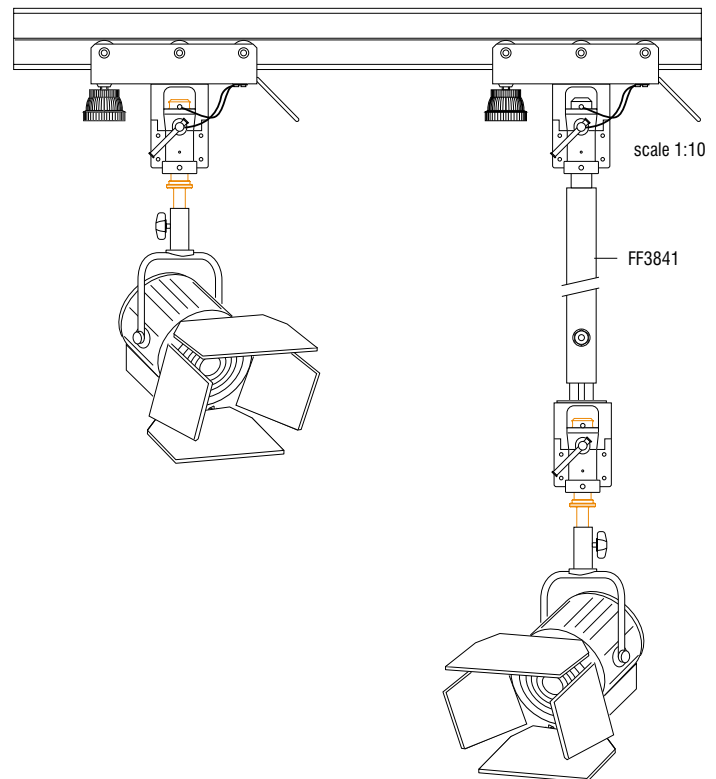
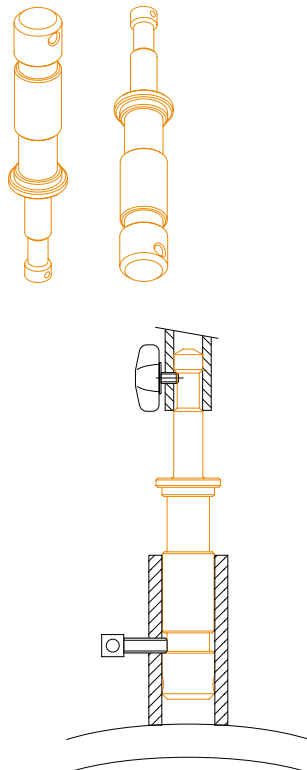
 max. load: NA

 weight: 0,62 kg
1,37 lb




scale 1:4

APPLICATIONS



scale 1:10

Metric measurements should be taken as reference. Imperial values have been calculated from metric and rounded to nearest 1/32 inch. 
IMPORTANT: installation must be carried out by qualified personnel and in accordance with the safety regulations of the country/region of installation.