

FF3723



Carriage for panels and scenery

Steel carriages with bearing wheels, used to suspend rigid scenarios or wood panels.

The clamp can hold object from 6mm to 100mm thick.



material: steel



finish: grey powder coating with orange peel finish RAL 7016



weight: 1,170 kg
2,579 lb



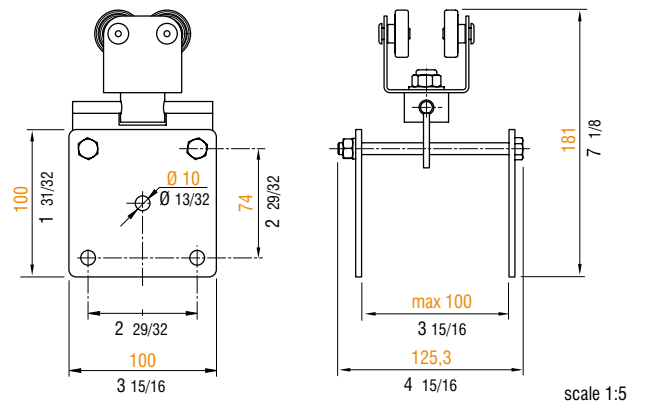
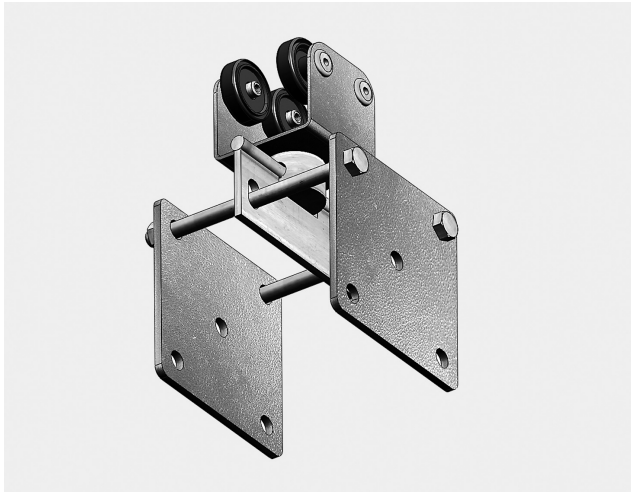
volume: 0,005 cu m
0,176 cu ft



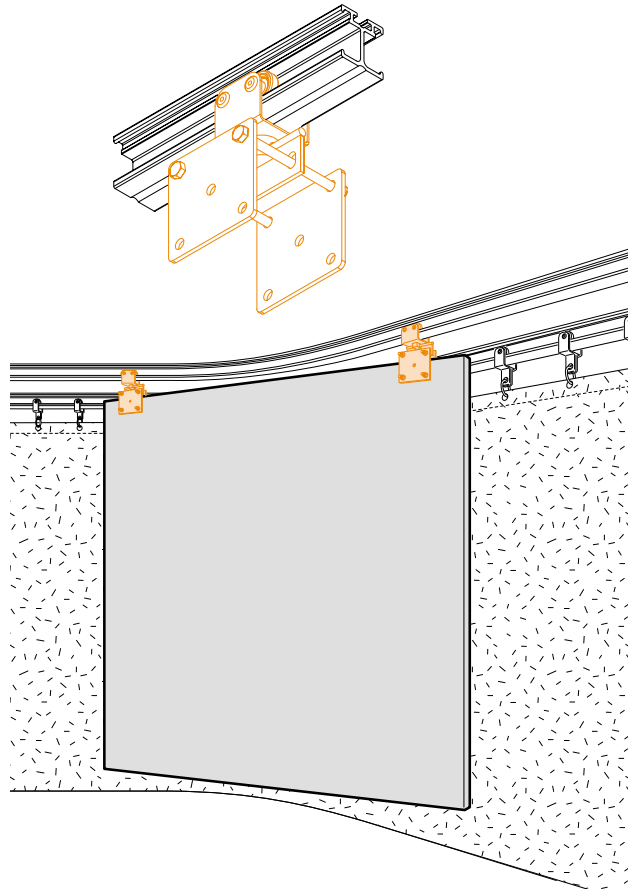
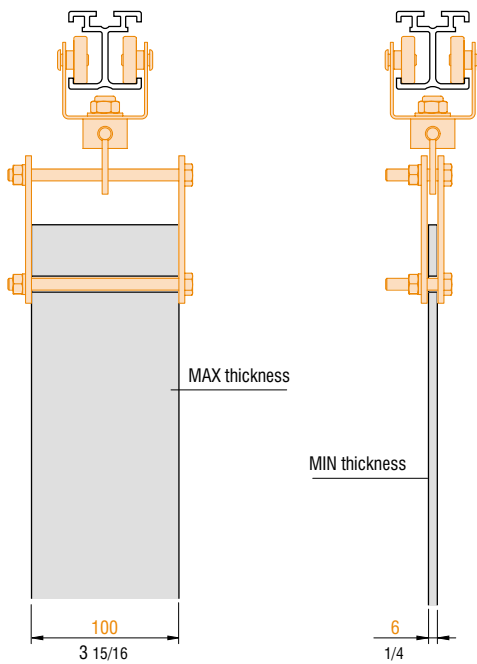
max. load: 100 kg
220 lb



weight: 1,230 kg
2,775 lb



APPLICATIONS



Metric measurements should be taken as reference. Imperial values have been calculated from metric and rounded to nearest 1/32 inch. **IMPORTANT:** installation must be carried out by qualified personnel and in accordance with the safety regulations of the country/region of installation.