

FF3719



Carriage with twist lock and 1-1/8 female attachment for receptacle

Twist lock holds carriage in position. Use operating pole to open or release the twist lock.
Receptacle not included.



material main body: steel & aluminium
part: blue plastic



finish: grey powder coating with orange peel finish RAL 7016



weight: 1,90 kg
4,10 lb



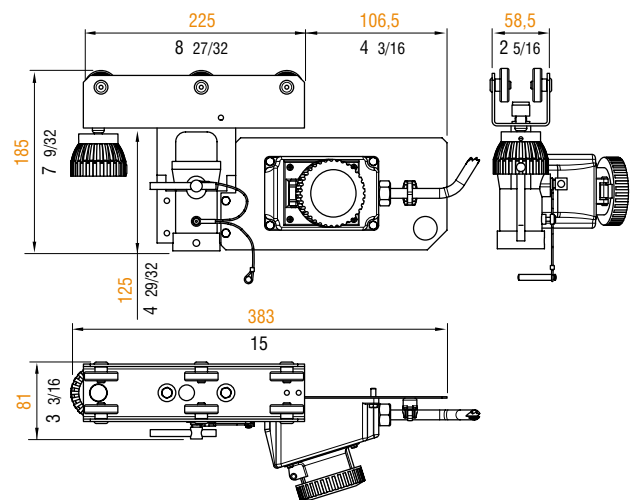
volume: 0,007 cu m
0,247 cu ft



max. load: 90 kg
198 lb

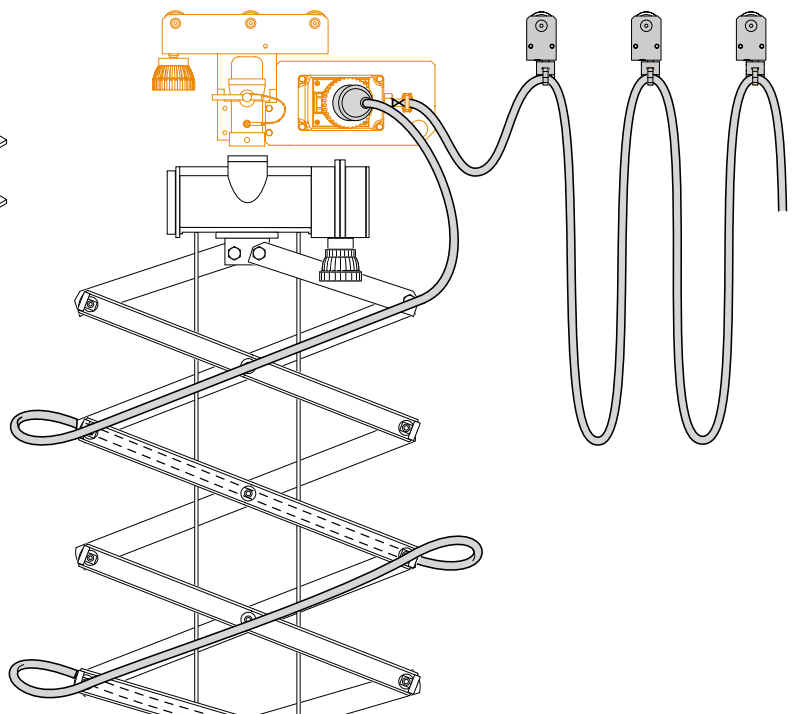
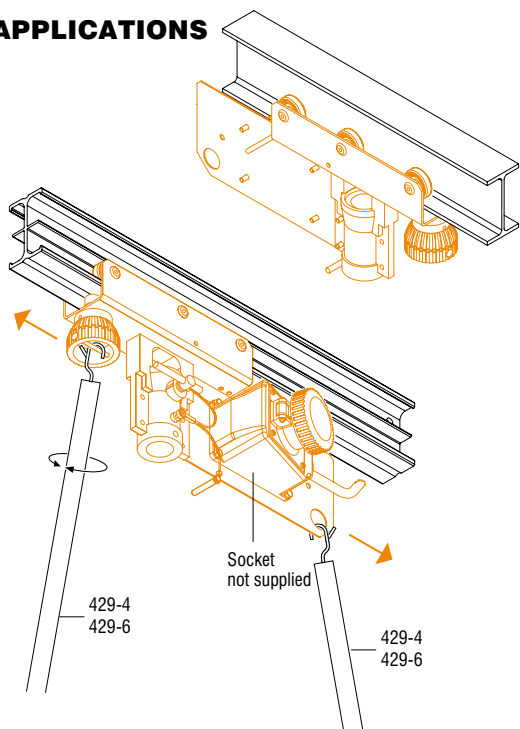


weight: 2,1 kg
4,6 lb



5

APPLICATIONS



Metric measurements should be taken as reference. Imperial values have been calculated from metric and rounded to nearest 1/32 inch. **IMPORTANT:** installation must be carried out by qualified personnel and in accordance with the safety regulations of the country/region of installation.