


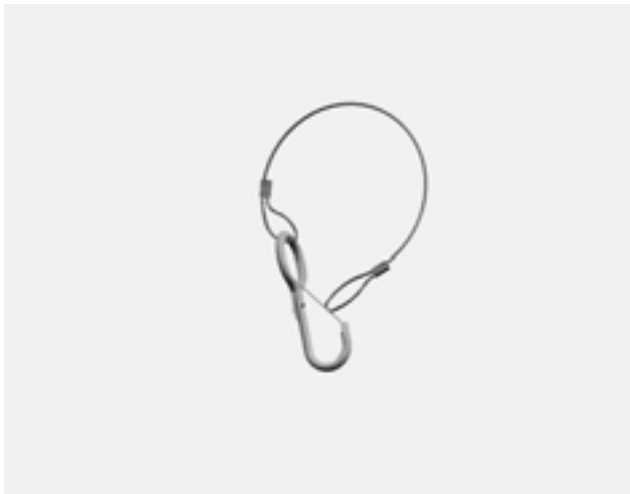
SAFETY STEEL CABLE

FF3276: Ø 2 mm - length 35 cm
 FF3870: Ø 2,5 mm - length 70 cm
 FF3871: Ø 4 mm - length 70 cm

 material: steel

 finish:

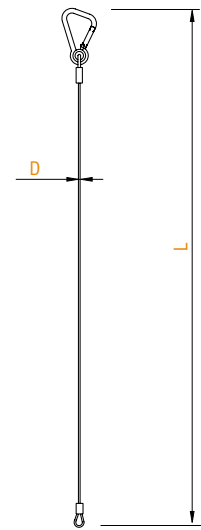
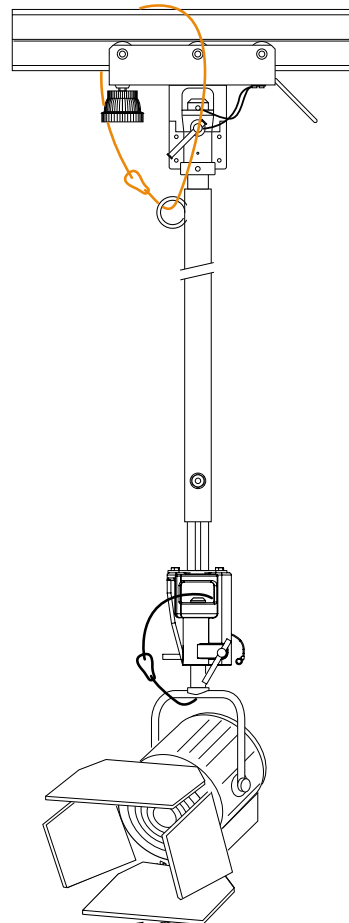
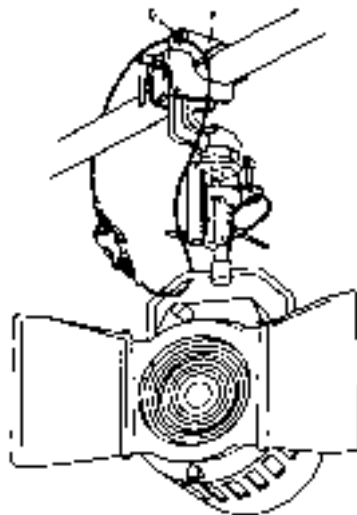
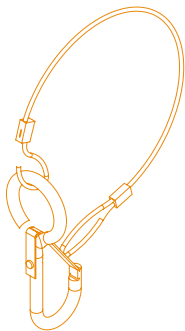
Used between luminaires and suspension for extra safety



	FF3276	FF3870	FF3871
D diameter: mm	2	2,5	4
inch	5/64	2/32	5/32
L width: mm	350	700	700
inch	14	27 1/2	27 1/2
W weight: kg	0,06	0,08	0,1
lb	0,132	0,176	0,22
T max. load: kg	20	40	85
lb	44	88	187
V volume: cu m	0,0007	0,0007	0,0007
cu ft	0,0247	0,0247	0,0247
W weight: kg	0,06	0,08	0,1
lb	0,132	0,176	0,22

11

APPLICATIONS



scale 1:10

Metric measurements should be taken as reference. Imperial values have been calculated from metric and rounded to nearest 1/32 inch.
IMPORTANT: installation must be carried out by qualified personnel and in accordance with the safety regulations of the country/region of installation.