

**FF3660**



End Stop

Mount the end stops in the holes at the end of each rail to prevent carriages leaving the rail and to prevent moving rails leaving their carriages.

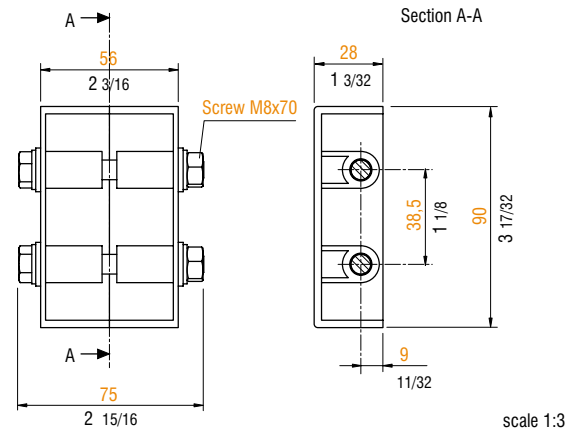
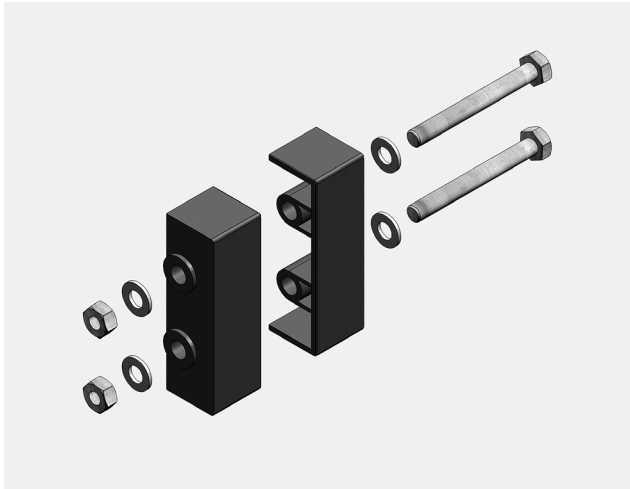
material: plastic black

finish: NA

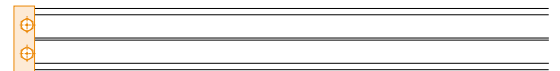
weight: 0,118 kg  
0,258 lb

volume: 0,0008 cu m  
0,0283 cu ft

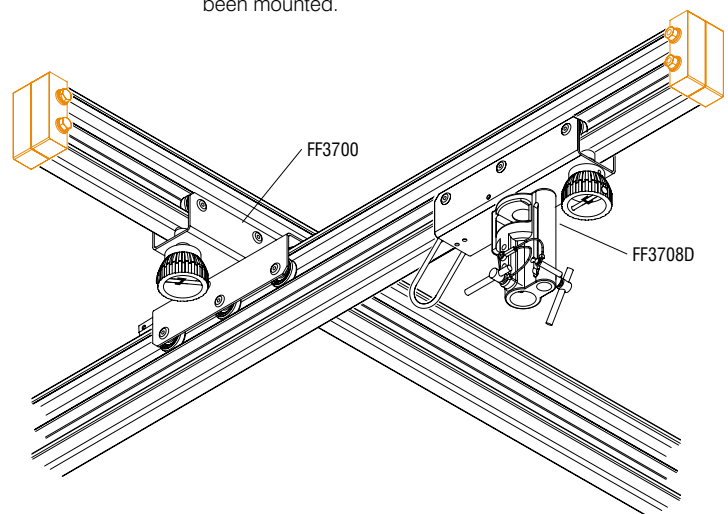
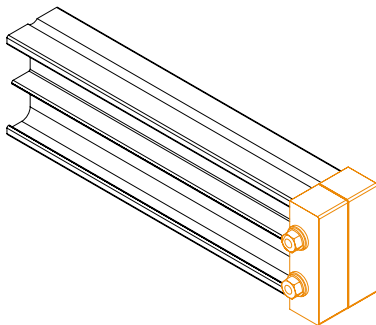
weight: 0,125 kg  
0,275 lb



**APPLICATIONS**



End stops are required on both ends of all rails whether fixed or mobile to prevent carriages leaving the rail. They are mounted into the holes at the rail end after all carriages have been mounted.



Metric measurements should be taken as reference. Imperial values have been calculated from metric and rounded to nearest 1/32 inch. **IMPORTANT:** installation must be carried out by qualified personnel and in accordance with the safety regulations of the country/region of installation.