

FF3260

Female – male adapter 5/8" spigot to 1 1/8 female

The adapter converts a 5/8" (16mm) female attachment into a 1 1/8" female attachment.

material: main body: aluminium
part: steel

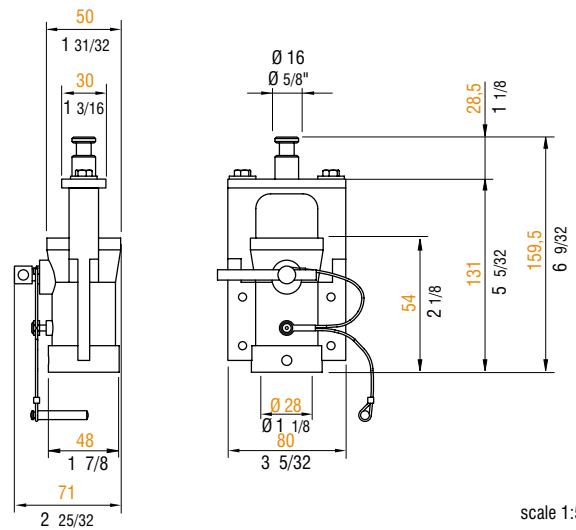
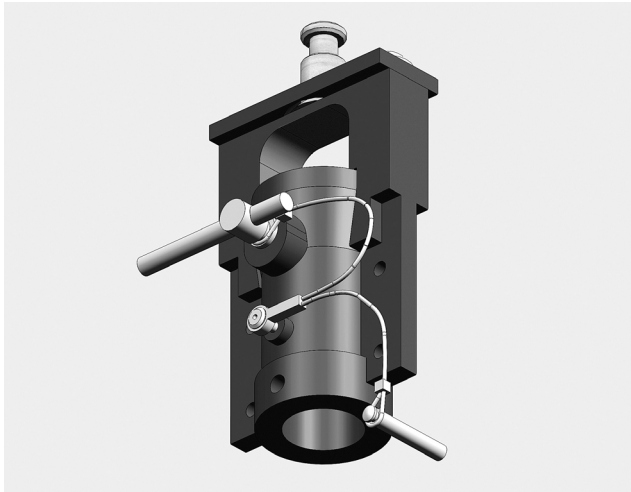
finish: grey powder coating with orange peel finish RAL 7016

weight: 0,562 kg
1,239 lb

volume: 0,0020 cu m
0,0706 cu ft

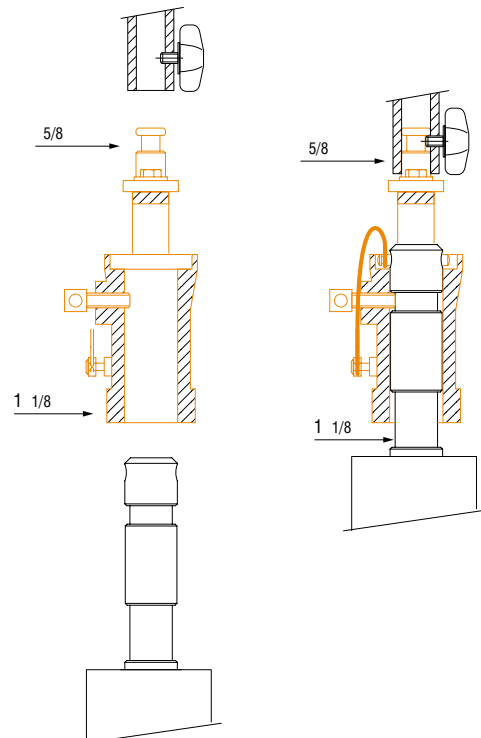
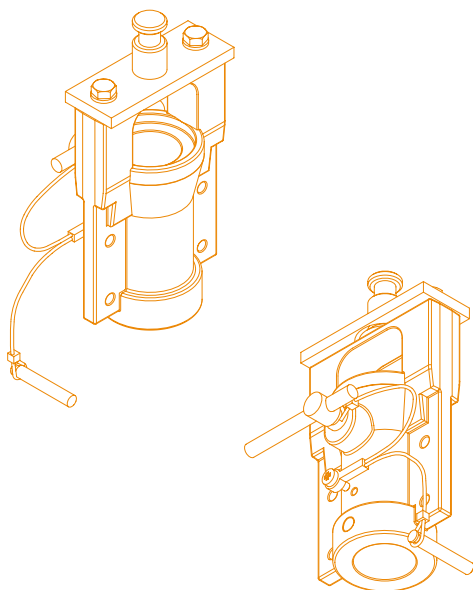
max. load: 80 kg
176 lb

weight: 0,602 kg
1,327 lb



scale 1:5

APPLICATIONS



Metric measurements should be taken as reference. Imperial values have been calculated from metric and rounded to nearest 1/32 inch. **IMPORTANT:** installation must be carried out by qualified personnel and in accordance with the safety regulations of the country/region of installation.