

# ORION 1 1250W

## CYCLORAMA SOFT LIGHT

ORION 1 1250W



### Technical features

#### Operational Data

|                                   |   |
|-----------------------------------|---|
| Power consumption                 | 1250 W  |
| Supply voltage                    | 120 - 240 V   |
| Tilt adjustment                   | Floor standing  |
| Focus Adjustment                  | Fixed beam  |
| Accessory Fitting                 | Integral wire mesh safety guard 3mm x 3mm with quick release fastener and flexible colour frame |
| Colour frame                      | 245 mm x 290 mm   |
| Filter cut size diameter          | 240 mm x 285 mm   |
| Lamp holder                       | R7s   |
| Lamp access                       | After removal of wire mesh safety guard 3 mm x 3 mm and colour frame                            |
| Safety mesh                       | Compartment fitted with wire mesh safety guard 3 mm x 3 mm                                      |
| IP rating                         | IP 20   |
| Max operating ambient temperature | 45°   |

#### Optical Data

|           |  |
|-----------|--|
| Reflector | Asymmetric multi-curve reflectors with special anodised coating for high-efficiency finish |
|-----------|--|

#### Mechanical Data

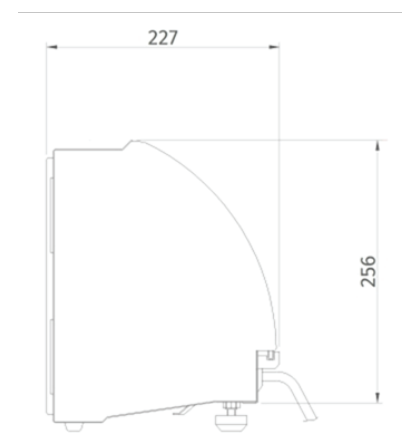
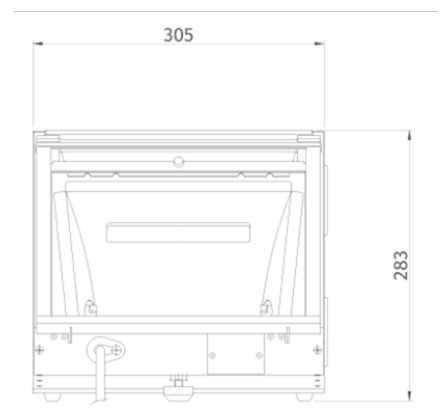
|              |   |
|--------------|---|
| Finish       | High-quality epoxy powder coating<br>Special extra high-temperature treatment in critical areas<br>External textured low gloss finish |
| Lamp housing | Formed sheet steel lamp housing house compartment   |

#### Electrical

|                 |   |
|-----------------|---|
| Cable/switching | 5 m bare ended cable (no switch) on each compartment,<br>3 x 1.5 mm <sup>2</sup> section cable<br>Plugs and cables upon request |
|-----------------|---|

#### Dimension

|               |                          |
|---------------|--------------------------|
| Weight (head) | 4.0 kg pole op. version  |
| Packed volume | 380 mm x 250 mm x 310 mm |



Technical specifications and data are provided for guidance only. Due to improvement in technology and/or in products, all product, specs and data are subject to change without notice. COSMOLIGHT accepts no liability for any errors, inaccuracies or incompleteness contained herein.

©2018, COSMOLIGHT. All rights reserved.  
Quartzcolor is a Cosmolight brand  
COSMOLIGHT SRL - ITALY  
quartzcolor.com

# ORION 1 1250W

ORION 1 1250W

## CYCLORAMA SOFT LIGHT

### Specifications

#### Photometrics

ORION groundrows are designed to evenly illuminate a cyclorama and rely on the overlap of light from adjacent compartments. They are intended to be placed 1.2m from the bottom of the cyclorama with 1.2m spacing between each compartment of each colour circuit. ORION groundrows can be used in conjunction with IRIS top lights to cover higher cycloramas or to

| Height from base orv top of cyc (m) | 1     | 2     | 3   | 4   | 5   |
|-------------------------------------|-------|-------|-----|-----|-----|
| Lux                                 | 1,900 | 1,450 | 975 | 675 | 475 |

Typical performance based on P2/7 1000W lamp

#### Lamp Data

|                               |                      |
|-------------------------------|----------------------|
| Lamp code                     | P2/12 1250W 230-240V |
| Base                          | R7s                  |
| Lumens                        | 33,500               |
| Correlated colour temperature | 3200K                |

|                               |                     |
|-------------------------------|---------------------|
| Lamp code                     | P2/7 1000W 230-240V |
| Base                          | R7s                 |
| Lumens                        | 26,000              |
| Correlated colour temperature | 3200K               |

|                               |                      |
|-------------------------------|----------------------|
| Lamp code                     | P2/10 1000W 230-240V |
| Base                          | R7s                  |
| Lumens                        | 16,900               |
| Correlated colour temperature | 3200K                |

#### Ordering Codes

26010 - Orion 1 1250W cyclorama 120-240V, supplied with wire mesh safety guard and colour frame

Technical specifications and data are provided for guidance only. Due to improvement in technology and/or in products, all product, specs and data are subject to change without notice. COSMOLIGHT accepts no liability for any errors, inaccuracies or incompleteness contained herein.

**QUARTZCOLOR**

©2018, COSMOLIGHT. All rights reserved.  
Quartzcolor is a Cosmolight brand  
COSMOLIGHT SRL - ITALY  
quartzcolor.com