


FF3226C


⚡ 60

Kit of 5 cable carriages with bearing


Made to support electrical cable from 8 to 16mm diameter (3/8" to 5/8") on rail type 60. Cable held by standard cable tie, not supplied.

 material: body: black plastic

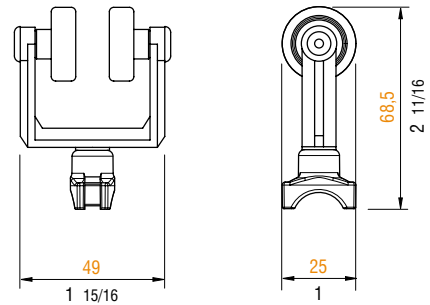
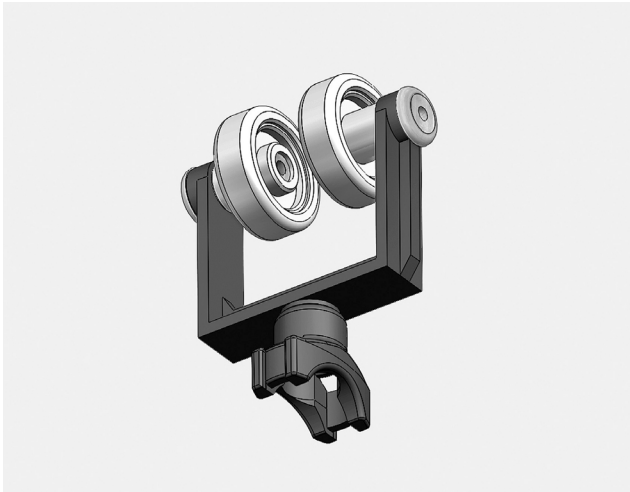
 finish: NA

 weight: **0,316 kg**
0,696 lb

 volume: **0,0007 cu m**
0,0247 cu ft

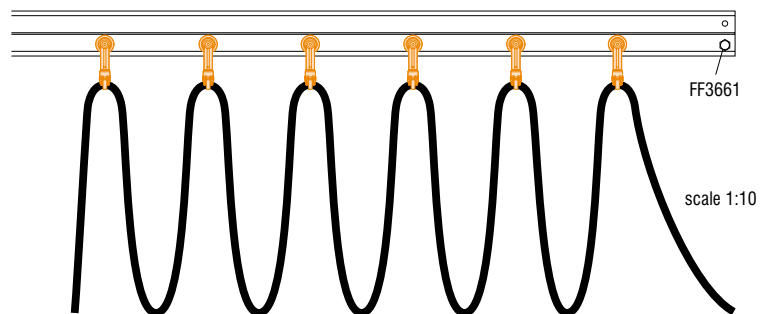
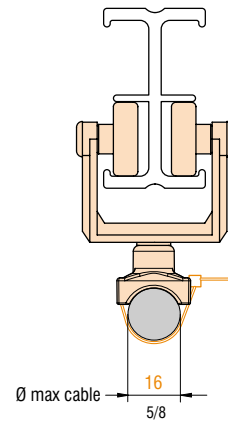
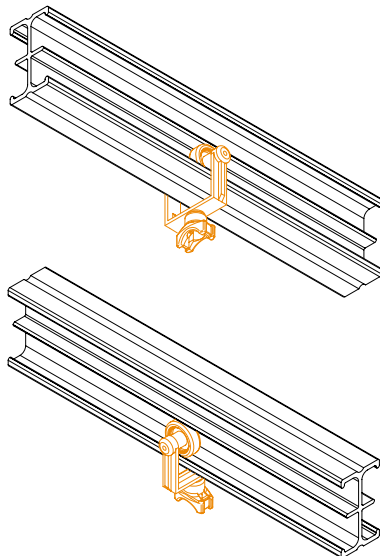
 max. load: **8 kg**
17,630 lb

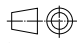
 weight: **0,5 kg**
1,1 lb



scale 1:2,5

APPLICATIONS



Metric measurements should be taken as reference. Imperial values have been calculated from metric and rounded to nearest 1/32 inch.  **IMPORTANT:** installation must be carried out by qualified personnel and in accordance with the safety regulations of the country/region of installation.