

FF3213V



Wall bracket for one rail

Clamps FF3601 not included and have to be ordered separately.
Hardware to install the bracket to the wall is not included.
Maximum load depends on mounting conditions.



material: steel



finish: grey powder coating with "orange peel" finish RAL 7016



weight: **0,760 kg**
1,676 lb



volume: **0,0050 cu m**
0,1767 cu ft

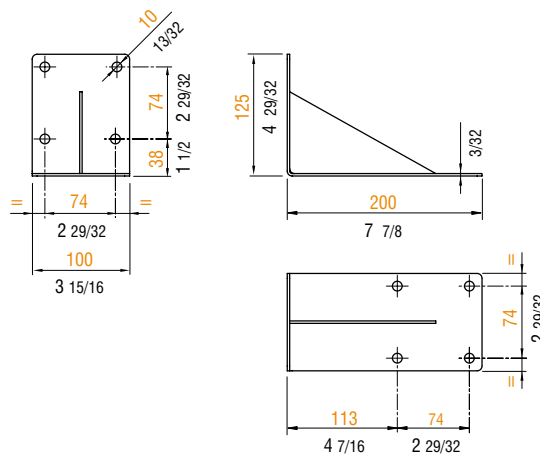
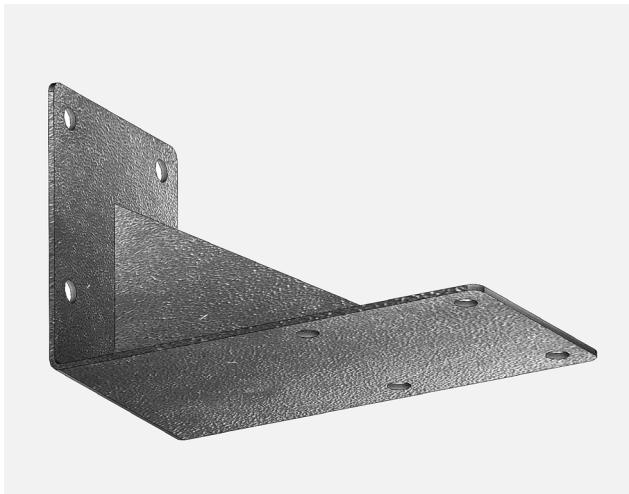


max. load: **200 kg**
441 lb



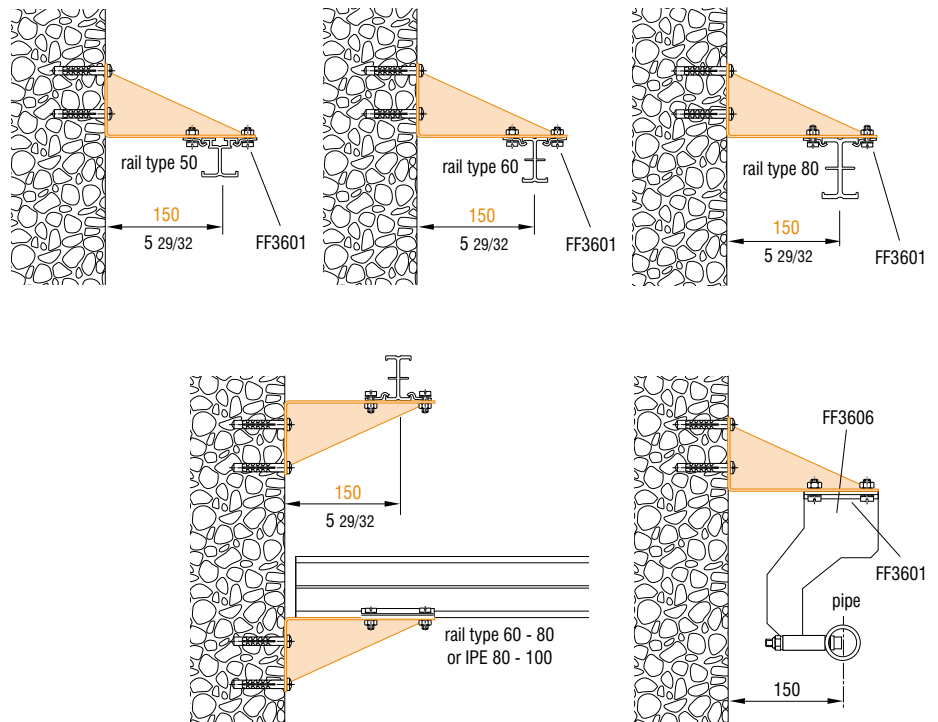
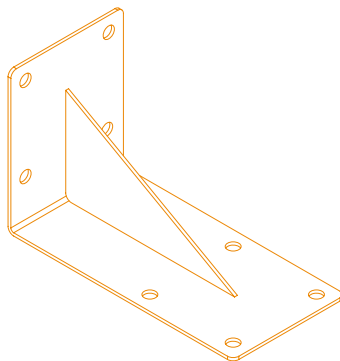
weight: **0,800 kg**
1,762 lb

4



scale 1:7,5

APPLICATIONS



Metric measurements should be taken as reference. Imperial values have been calculated from metric and rounded to nearest 1/32 inch.
IMPORTANT: installation must be carried out by qualified personnel and in accordance with the safety regulations of the country/region of installation.