

**FF3672**



**Double Bracket for rail crossing**

Bracket with clamps to connect two rails parallel or in a right angle.



material: steel



finish: grey powder coating with orange peel finish RAL 7016



weight: 0,725 kg  
1,598 lb



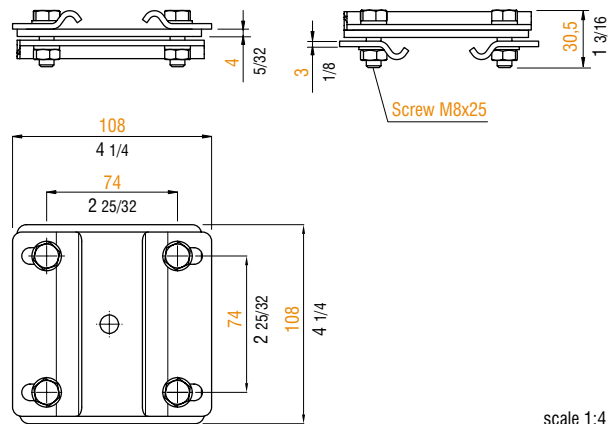
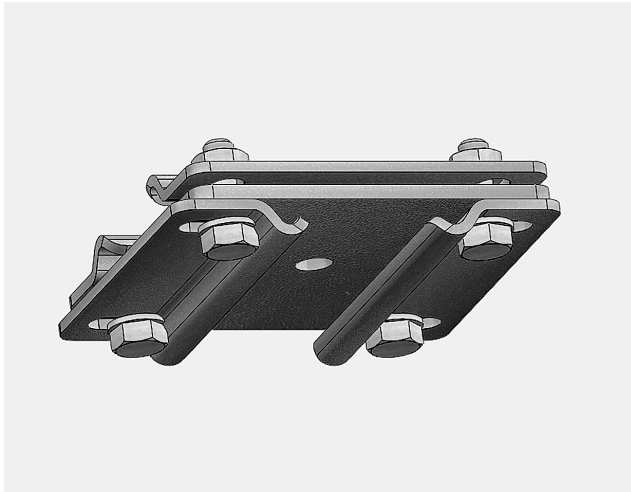
volume: 0,0008 cu m  
0,0283 cu ft



max. load: 200 kg  
441 lb

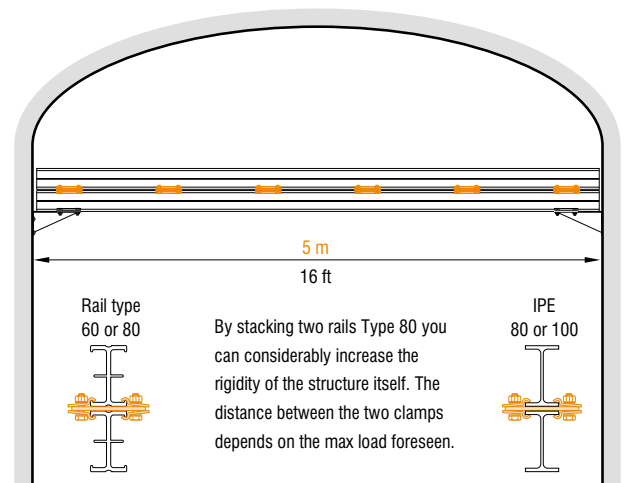
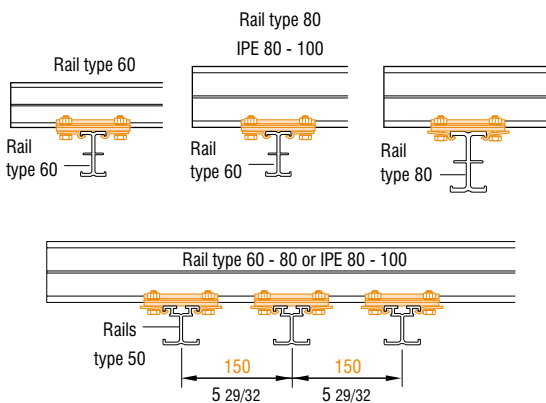
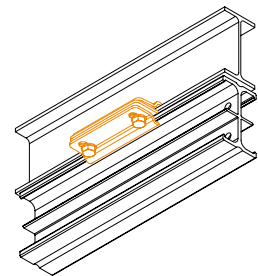
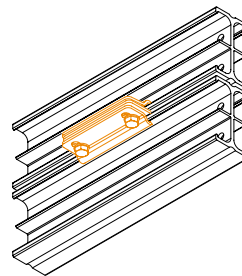
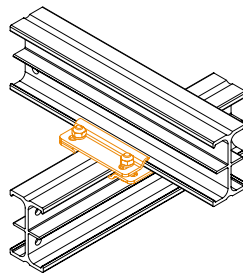
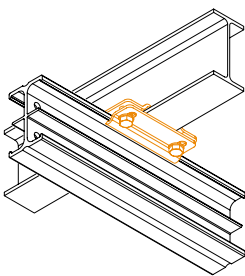


weight: 0,730 kg  
1,608 lb



scale 1:4

**APPLICATIONS**



Metric measurements should be taken as reference. Imperial values have been calculated from metric and rounded to nearest 1/32 inch. **IMPORTANT:** installation must be carried out by qualified personnel and in accordance with the safety regulations of the country/region of installation.