

FF3868



Spigot mounting point 5/8"

Use clamps FF3601 for mounting onto IFF rails or FF3605 for pipes



material main body: steel



finish: grey powder coating with orange peel finish RAL 7016



weight: 0,23 kg
0,507 lb



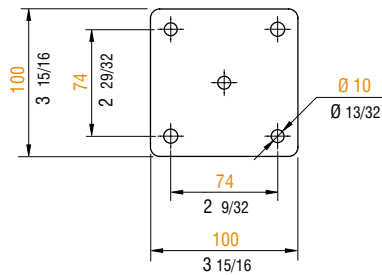
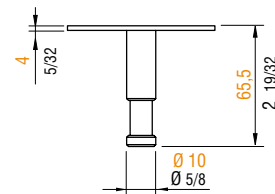
volume: 0,0020 cu m
0,0706 cu ft



max. load: 80 kg
176 lb



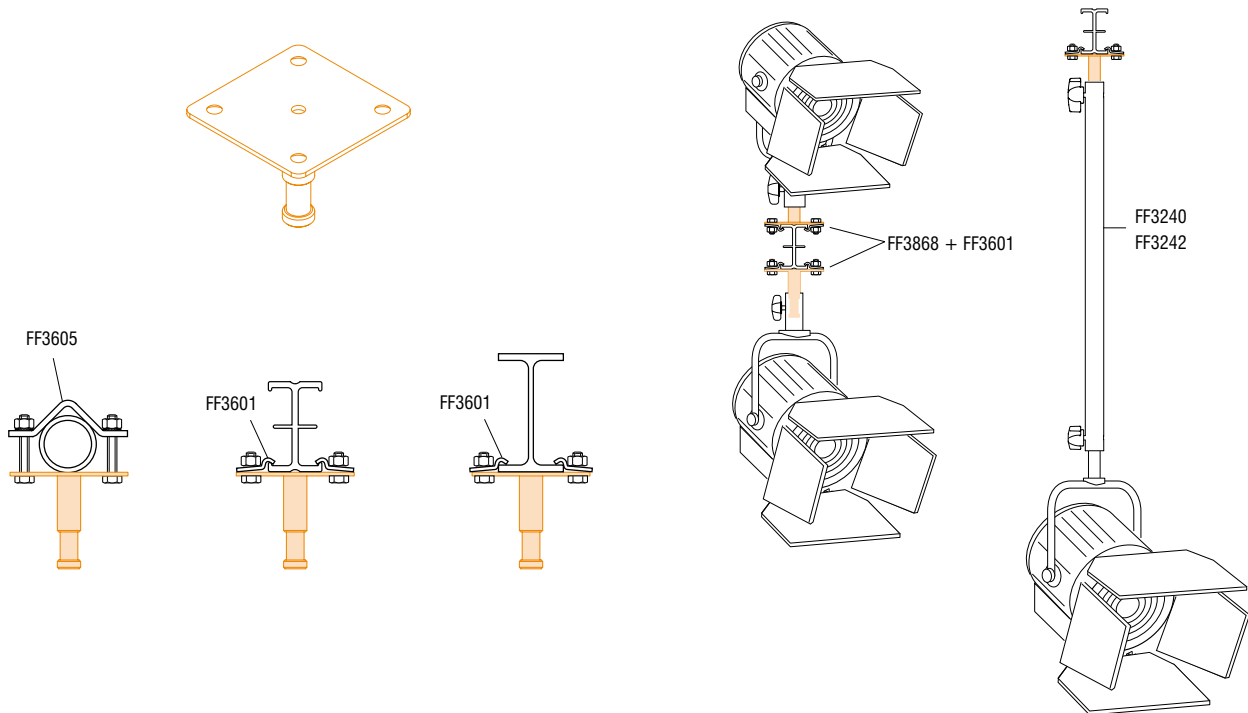
weight: 0,27 kg
0,595 lb



scale 1:4

10

APPLICATIONS



Metric measurements should be taken as reference. Imperial values have been calculated from metric and rounded to nearest 1/32 inch. IMPORTANT: installation must be carried out by qualified personnel and in accordance with the safety regulations of the country/region of installation.