

FF3261

Balancer

Bracket to balance the weights on pantographs or drop arms. See picture below.

material: main body: aluminium
part: steel

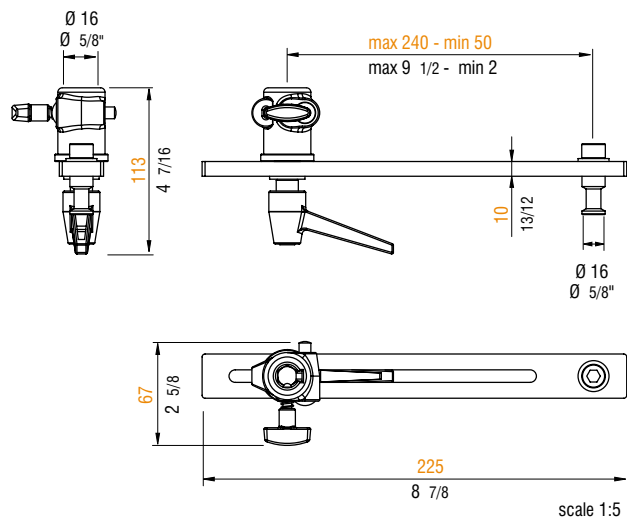
finish: black powder smooth RAL 9005

weight: 0,500 kg
1,102 lb

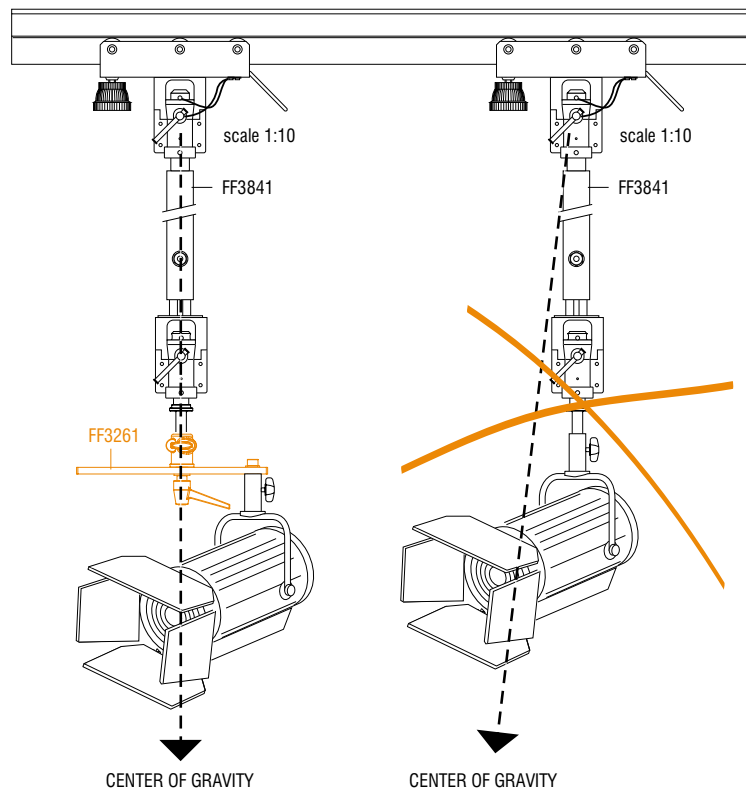
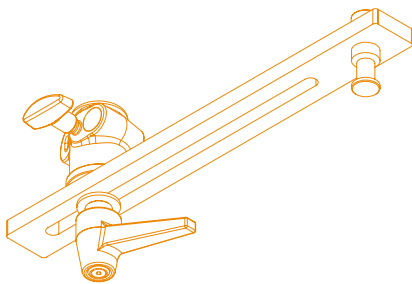
volume: 0,002 cu m
0,07 cu ft

max. load: 80 kg
176 lb

weight: 0,54 kg
1,19 lb



APPLICATIONS



Metric measurements should be taken as reference. Imperial values have been calculated from metric and rounded to nearest 1/32 inch. **IMPORTANT:** installation must be carried out by qualified personnel and in accordance with the safety regulations of the country/region of installation.