

FF3710S



Detachable carriage with twist lock and 1-1/8" female attachment

One side of the carriage can be removed to attach or detach the carriage to/from the IPE 100. Rail carriage with 1-1/8" female attachment. Twist lock holds carriage in position. Use operating pole to open or release the twist lock.



material main body: steel & aluminium
part: blue plastic



finish: grey powder coating with orange peel finish RAL 7016



weight: 1,750 kg
3,857 lb



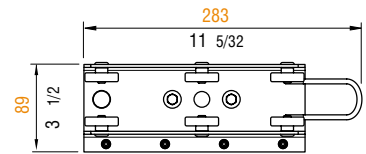
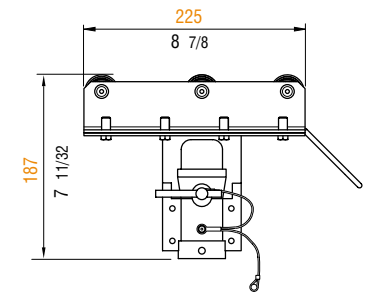
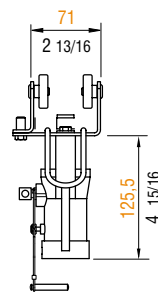
volume: 0,006 cu m
0,211 cu ft



max. load: 90 kg
198 lb

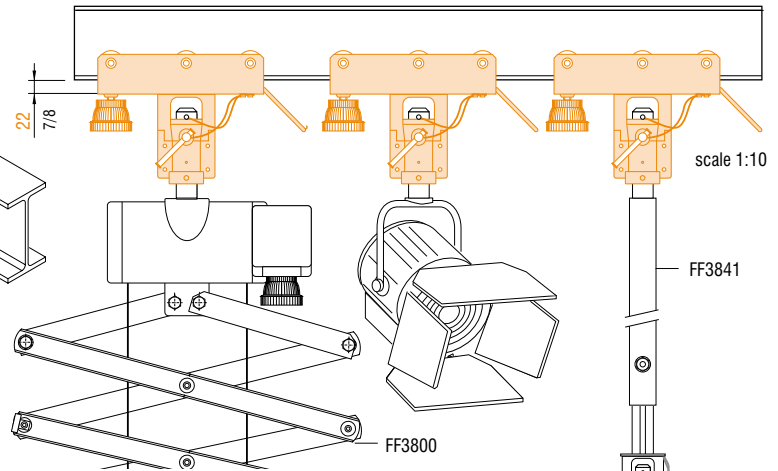
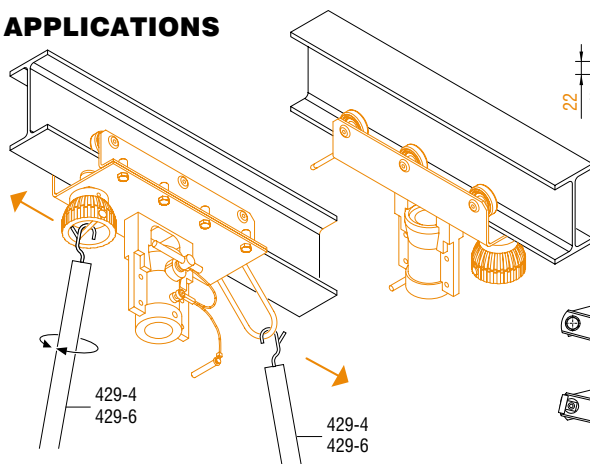


weight: 1,861 kg
4,1 lb



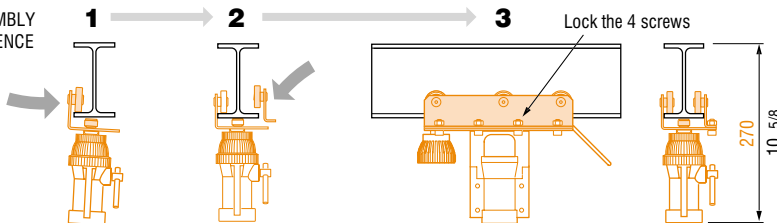
scale 1:7,5

APPLICATIONS



scale 1:10

ASSEMBLY SEQUENCE



Metric measurements should be taken as reference. Imperial values have been calculated from metric and rounded to nearest 1/32 inch. **IMPORTANT:** installation must be carried out by qualified personnel and in accordance with the safety regulations of the country/region of installation.