



C100 


Junior pipe clamp with 28 mm socket


Clamping range encompasses pipe from 20 mm to 55 mm diameter.

 material: rugged gravity cast aluminium

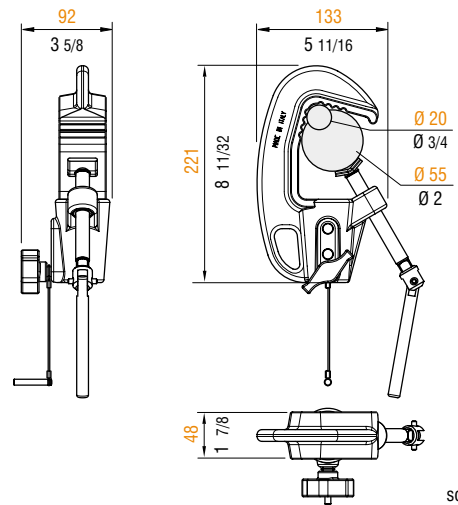
 finish: black powder smooth RAL 9005

 weight: **1,13 kg**
2,49 lb

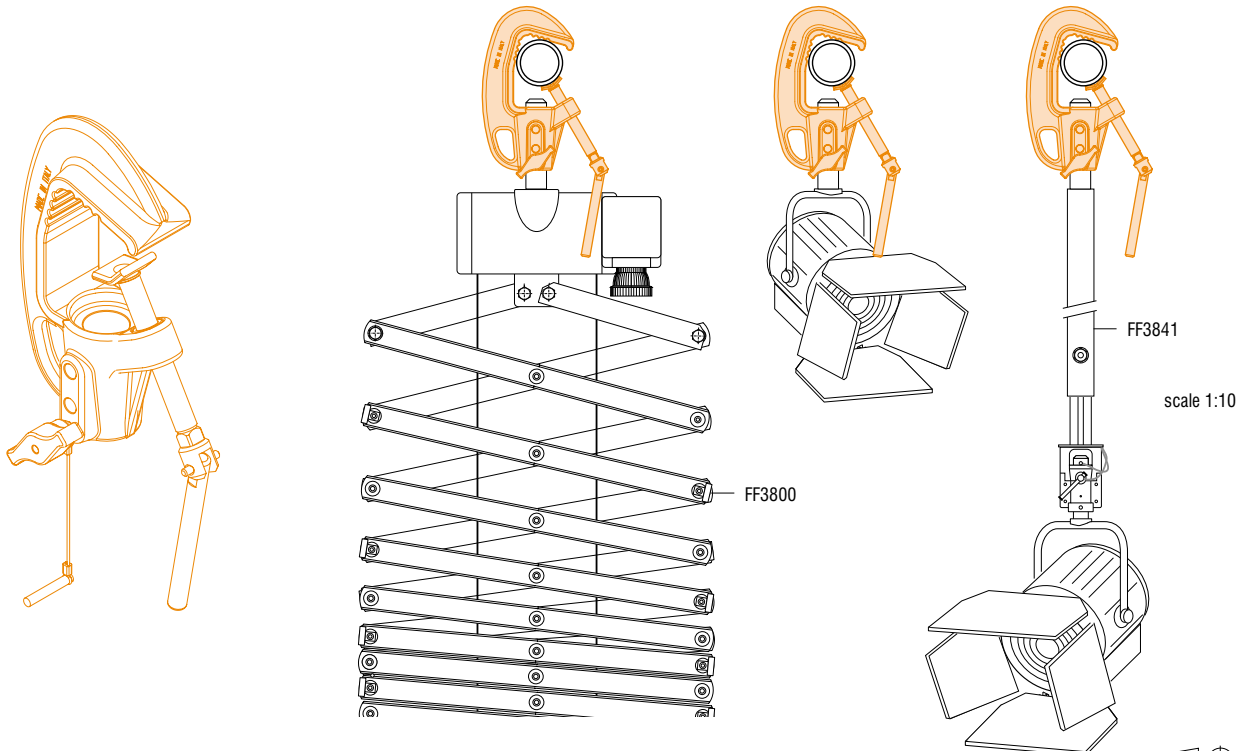
 volume: **0,005 cu m**
0,177 cu ft


 max. load: **250 kg**
550 lb

 weight: **1,18 kg**
2,601 lb



APPLICATIONS



Metric measurements should be taken as reference. Imperial values have been calculated from metric and rounded to nearest 1/32 inch. 
IMPORTANT: installation must be carried out by qualified personnel and in accordance with the safety regulations of the country/region of installation.