

**FF3709**



Detachable carriage with 1-1/8" female attachment

Carriage for pipes. Spring-loaded brake pad holds carriage in position. To release the brake pull down on wire with operating pole.



material main body: steel  
part: blue plastic



finish: grey powder coating with orange peel finish RAL 7016



weight: 1,990 kg  
4,386 lb



volume: 0,0120 cu m  
0,4240 cu ft

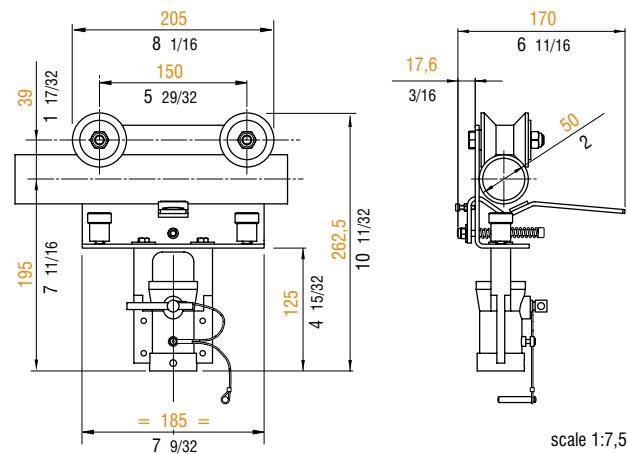


max. load: 90 kg  
198 lb

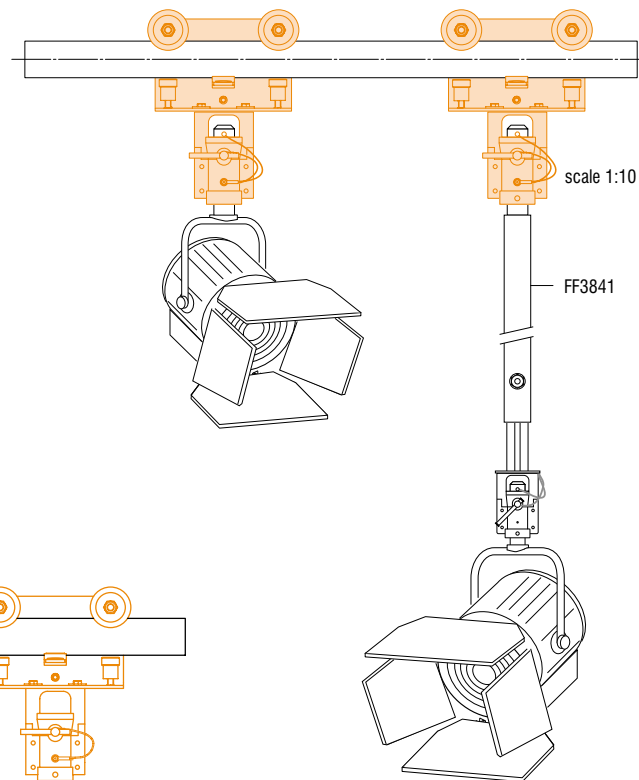
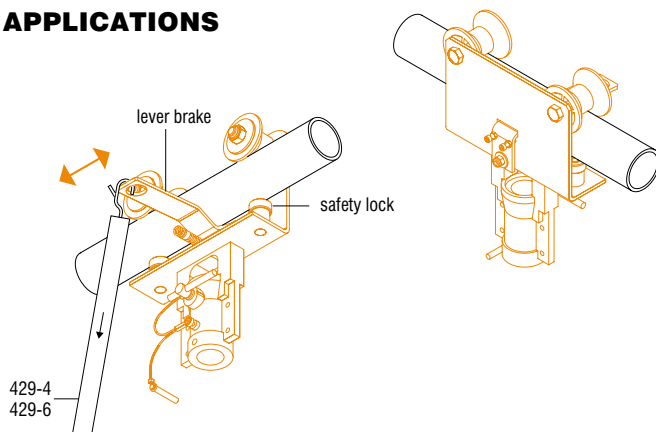


weight: 2,030 kg  
4,471 lb

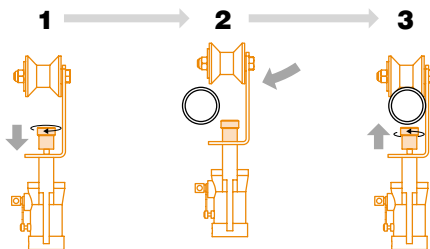
5



**APPLICATIONS**



**ASSEMBLY SEQUENCE**



Metric measurements should be taken as reference. Imperial values have been calculated from metric and rounded to nearest 1/32 inch.   
IMPORTANT: installation must be carried out by qualified personnel and in accordance with the safety regulations of the country/region of installation.