

ARTURO 4 - 5000W/2500W STUDIO SOFTLIGHT

26550

Operational Data

Power consumption	2500 W/5000 W
Supply voltage	120 – 240 V
Tilt adjustment	Pivot located at centre of gravity for excellent balance and positive locking
Tilt recommended angle of use	- 60° / 0° / 60°
Accessory fitting	Vertical fitting of accessories. Hinged fitting accessory cover with a quick release catch, allowing an easy and safe accessory fitting and retention
Colour frame	400 mm x 305 mm
Filter cut size	605 mm x 400 mm
Lamp holder	R7s
IP rating	IP 20
Max operating ambient temperature	45°

Optical Data

Reflector	Specifically designed primary/secondary reflectors in textured anodised aluminium and side reflector panels in polished anodised aluminium
Beam Angle	68° x 105°

Mechanical Data

Finish	High-quality epoxy powder coating Special extra high-temperature treatment in critical areas External textured low gloss finish
Lamp housing	Formed sheet steel housing, lightweight and robust
MO mounting	Manual U-shaped square base stirrup with single lock off knob, 28 mm (1 1/8") spigot
PO mounting	Pole Operated U-shaped stirrup, pan & tilt clutch gear mechanism for manual override, 28 mm (1 1/8") spigot

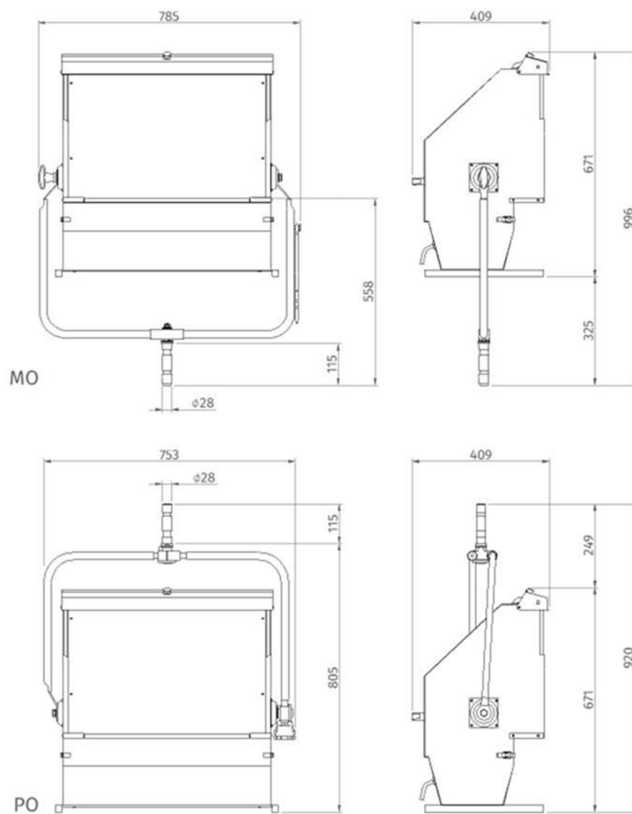
Electrical

MO version	On/Off head mounted toggle switches 8 A / 250 V, 5 m bare ended cable, 3 x 4 mm ² section cable Plugs and cables upon request
PO version	On/Off head mounted toggle switches 8 A / 250 V, 2.5 m bare ended cable, 3 x 4 mm ² section cable Plugs and cables upon request

Dimensions

Weight (head + stirrup)	24.0 kg manual version 25.5 kg pole op version
Packed volume	755 mm x 755 mm x 520 mm

Technical Drawings



Photometrics

Distance (m)	6	7	8	9	10
Lux	1,216	892	683	540	437
Beam (m)	8.09	9.44	10.79	12.41	13.5

Typical performance based on (4) P2/12 1250 W 230/240 V lamp, without eggcrate

Lamp Data

Lamp code	P2/12 1250 W 230/240 V
Base	R7s
Lumens	33,500
Color Temperature	3200 K

Lamp code	P2/7 1000 W 230/240 V
Base	R7s
Lumens	26,000
Color Temperature	3200 K

Lamp code	P2/10 1000 W 230/240 V
Base	R7s
Lumens	16,900
Color Temperature	3200 K